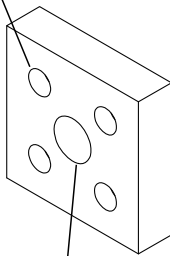


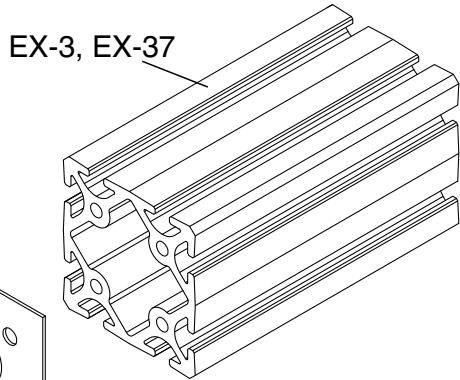
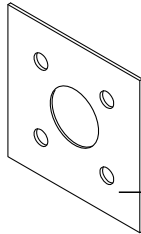
PM-3

PM-3

Drilled and C'bored
for 5/16-18 SHCS (4)



1/2 NPT

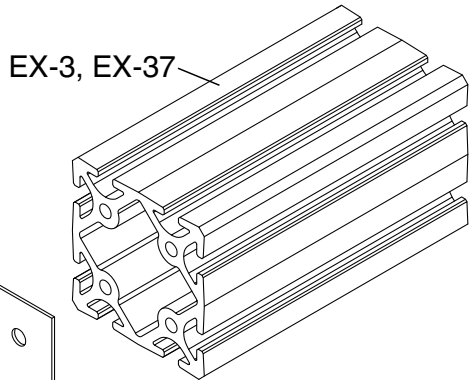
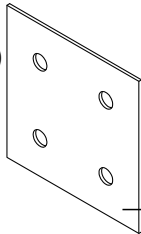
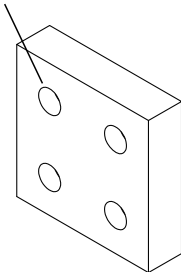


Cork Gasket Included

Note: Cross-sectional internal
area = 3.5 sq. in.

PM-3B

Drilled and C'bored
for 5/16-18 SHCS (4)



Cork Gasket Included

Note: Cross-sectional internal
area = 3.5 sq. in.

Recommended Hardware
(4) EF-11-1.0

Plate Material - Aluminum
Finish - Clear Anodize

5/16" SLOTS