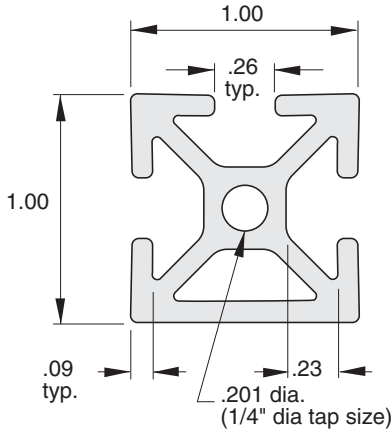


## EX-73



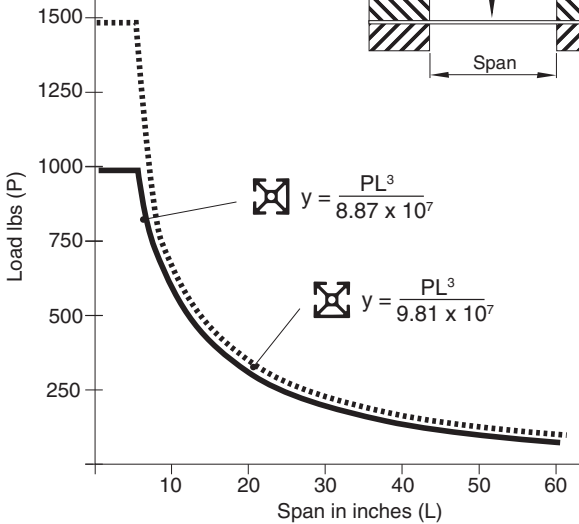
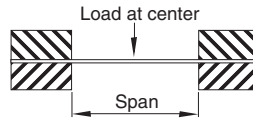
- Finish = Clear anodized
- Material = 6105-T5 Aluminum
- Est. Area = .451 Sq. In.
- Weight/ft = .523 lbs.
- 96", 192.63" Lengths standard.

### Section Properties:

|                                    |      |      |
|------------------------------------|------|------|
| Moment of Intertia in <sup>4</sup> | .051 | .046 |
| Section modulus in <sup>3</sup>    | .099 | .092 |

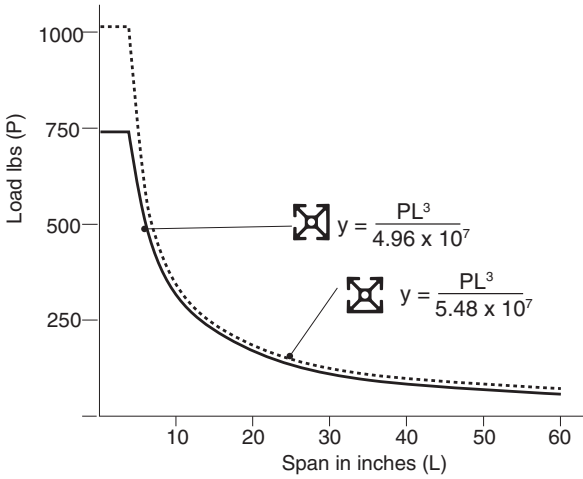
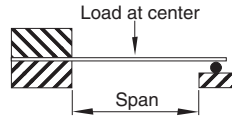


Load condition:  
Fixed at both ends, load at center  
Deflection = y (inches)



**EX-73**

Load condition:  
Fixed at one end, sliding at one end,  
load at center  
Deflection = Y (inches)



Load condition:  
Fixed at one end,  
load at unsupported end  
Deflection = Y (inches)

