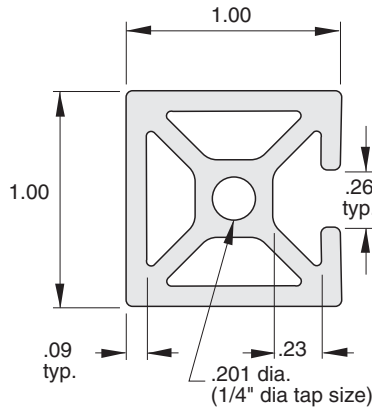


## EX-70



- Finish = Clear anodized
- Material = 6105-T5 Aluminum
- Est. Area = .451 Sq. In.
- Weight/ft = .576 lbs.
- 96", 192.63" Lengths standard.

### Section Properties:

Moment of Intertia in<sup>4</sup>  
Section modulus in<sup>3</sup>

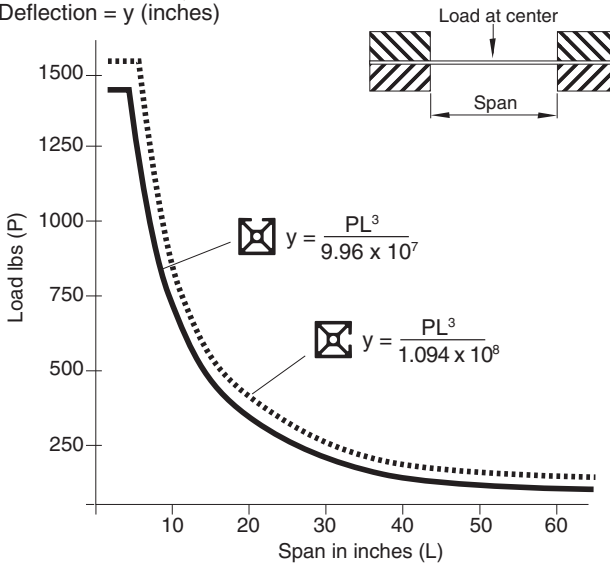


.057  
.114



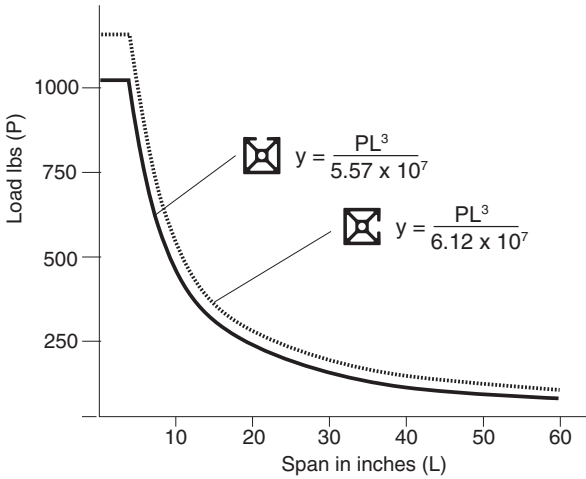
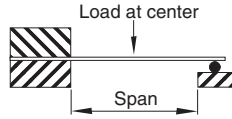
.052  
.099

Load condition:  
Fixed at both ends, load at center  
Deflection = y (inches)



**EX-70**

Load condition:  
Fixed at one end, sliding at one end,  
load at center  
Deflection = Y (inches)



Load condition:  
Fixed at one end,  
load at unsupported end  
Deflection = Y (inches)

