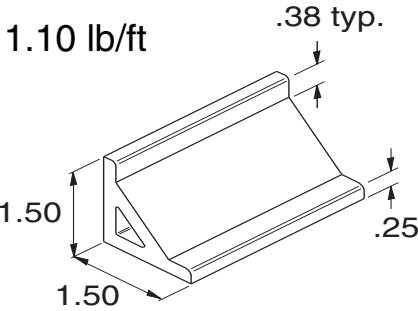


Angle Bracket Profiles

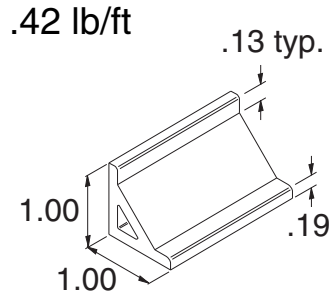


FRAME-WORLD's blank angle bracket profiles are made from aluminum and are provided with a standard mill finish. Clear anodized finish is also available. They are stocked in 8 ft. and 12 ft. lengths.

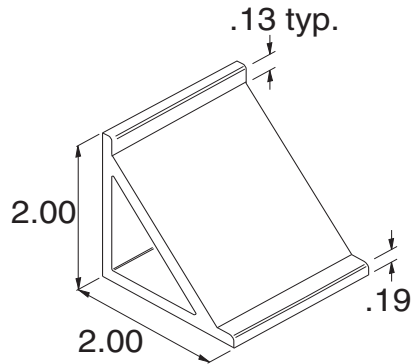
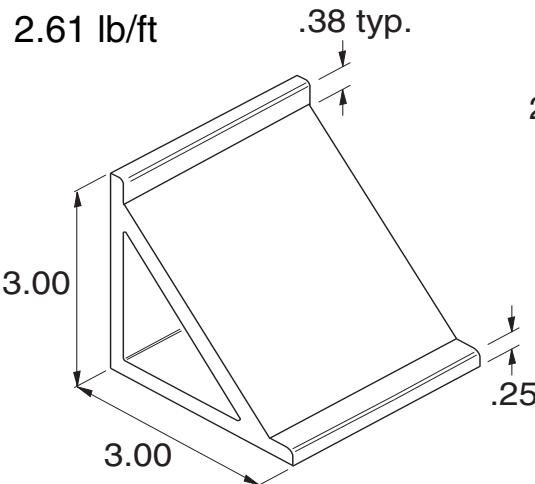
EX-30
EX-30-ANDZ



EX-32
EX-32-ANDZ



EX-31
EX-31-ANDZ



EX-33
EX-33-ANDZ

1.33 lb/ft

TECHNICAL