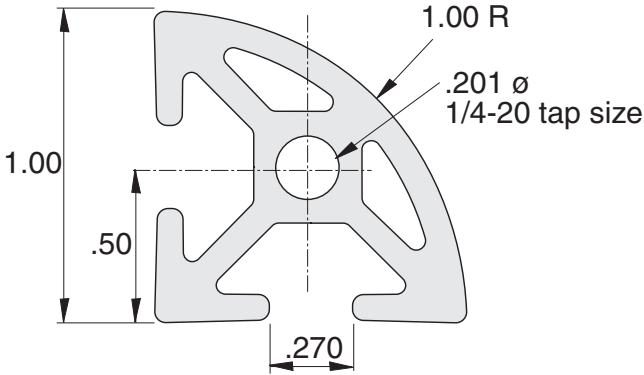


**EX-14**

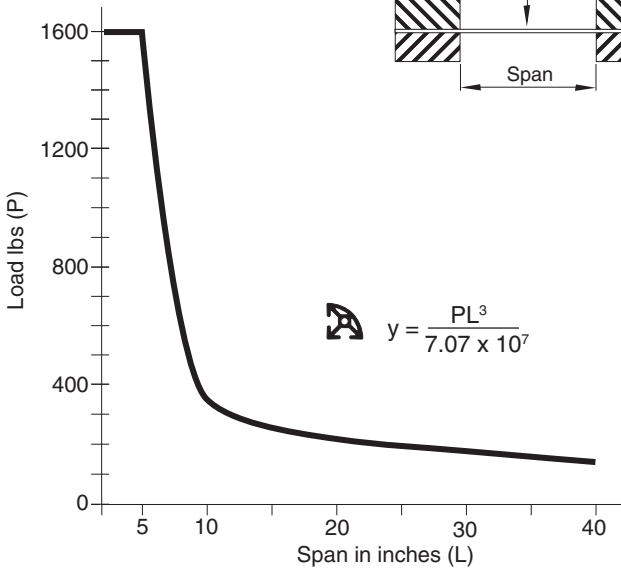
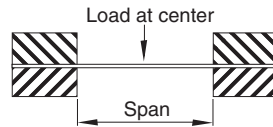


- Finish = Clear anodized
- Material = 6105-T6 Aluminum
- Est. Area = .438 Sq. In.
- Weight/ft = .515 lbs.
- 96", 192.63" Lengths standard.

**Section Properties:**

Moment of Intertia in <sup>4</sup>	.037
Section modulus in <sup>3</sup>	.068

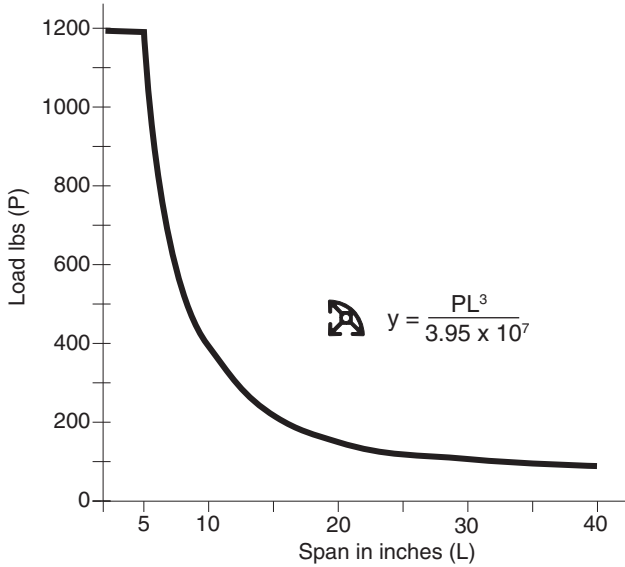
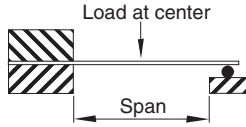
Load condition:  
Fixed at both ends, load at center  
Deflection = y (inches)



$y = \frac{PL^3}{7.07 \times 10^7}$

**EX-14**

Load condition:  
Fixed at one end, sliding at one end,  
load at center  
Deflection = Y (inches)



Load condition:  
Fixed at one end,  
load at unsupported end  
Deflection = Y (inches)

