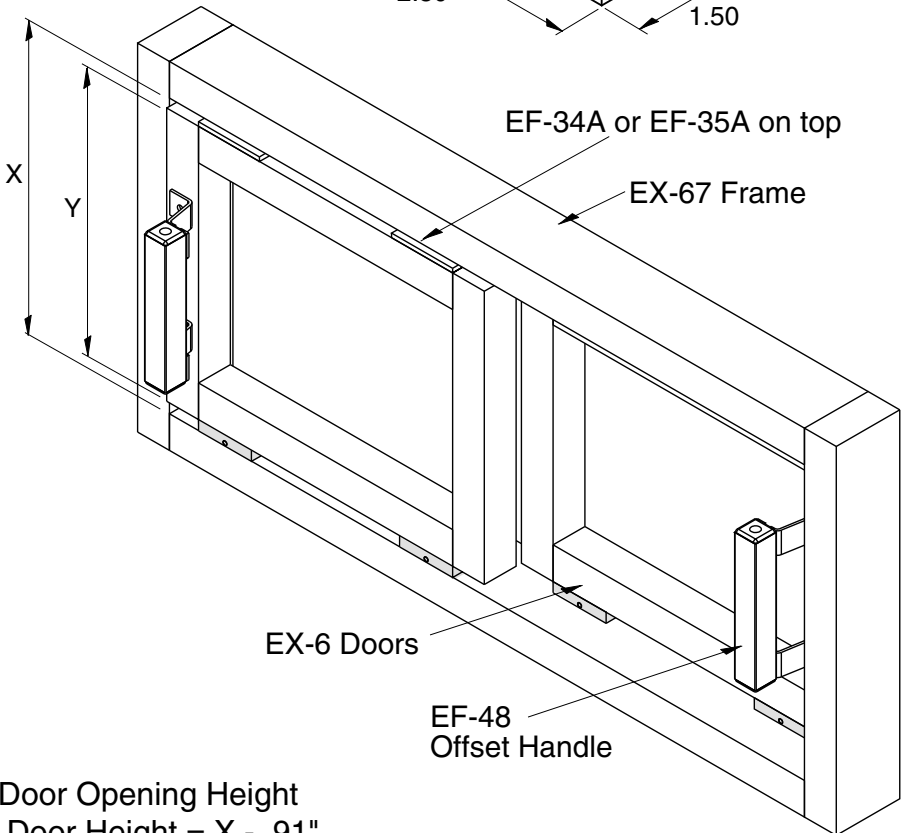
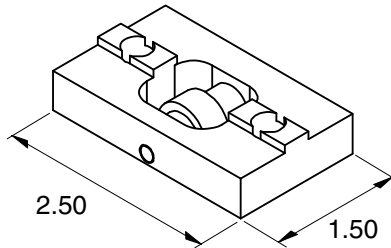


1/8" offset
on center

EF-88
EF-89

Door Clearance Between Sliders

- = .25" using (4) EF-88 and (4) EF-35A
- = .13" using (2) EF-88 with (2) EF-35A
and (2) EF-89 with (2) EF-34A



X= Door Opening Height
Y = Door Height = X - .91"

Hardware Included

5/16" SLOTS