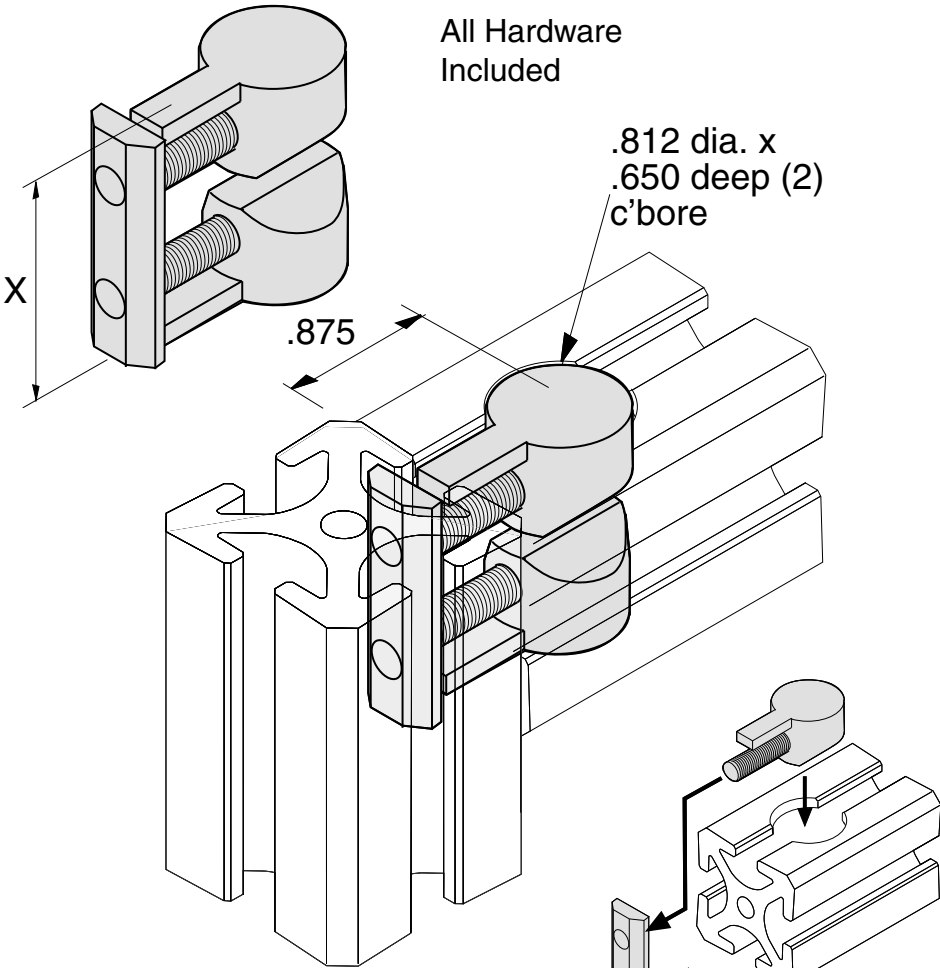


Double Anchor Fastener



EF-63	X = 1.5"
EF-63M	X = 1.5" with metric hardware
EF-63SS	X = 1.5" with stainless steel bolt
EF-64	X = 3.0"
EF-64M	X = 3.0" with metric hardware
EF-64SS	X = 3.0" with stainless steel bolt

5/16" SLOTS



Material:
 Anchor - Cast Zinc, Zinc Plated
 Bolt - Steel, Black Oxide Coating
 T-nut - Steel Zinc Coated