

Heavy Duty T-nut

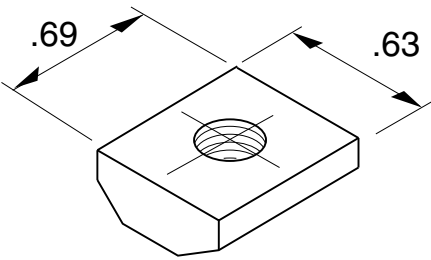


EF-55
EF-56
EF-57
EF-58
EF-59
EF-83
EF-84

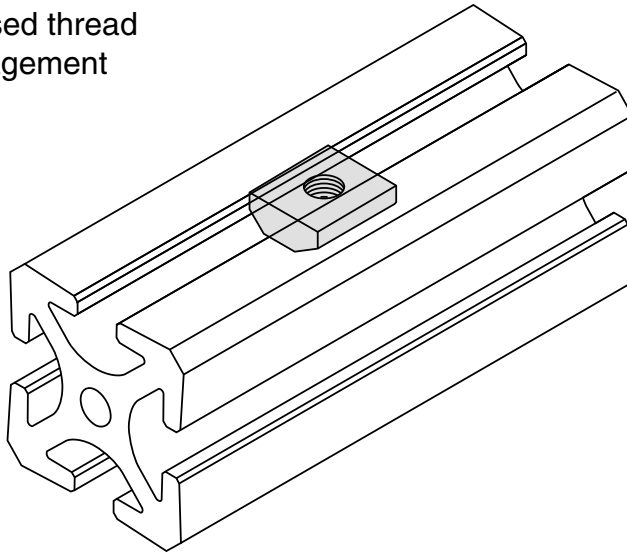
.33 Slot Width

- EF-55** 5/16-18 thd
- EF-56** 1/4-20 thd
- EF-57** 10-32 thd
- EF-58** m8 x 1.25 thd
- EF-59** m6 x 1.0 thd
- EF-83** 8-32 thd
- EF-84** 6-32 thd
- BLF-55** 5/16-18 thd
black zinc plated

5/16" SLOTS



Note: Provides increased thread engagement



Material - Steel
Finish - Zinc Plated