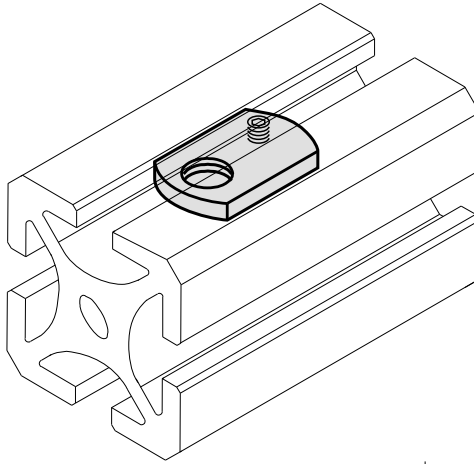


EF-50

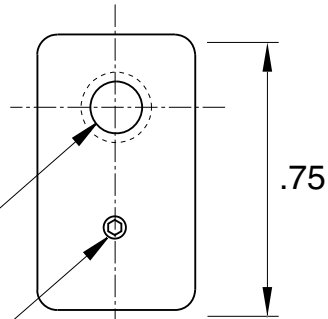
EF-51

EF-52



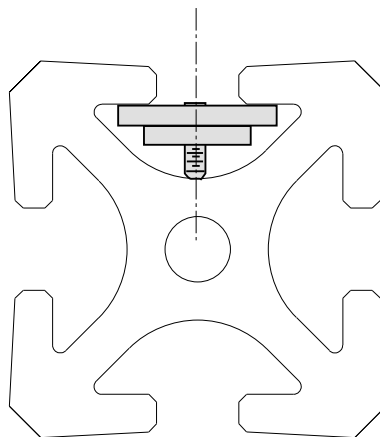
5/16" SLOTS

- EF-50** 5/16-18 thd
- EF-51** 1/4-20 thd
- EF-52** m8 x 1.25 thd



set screw
(included)

Set screw holds
T-nut in place



Material - Steel
Finish - Zinc Plated