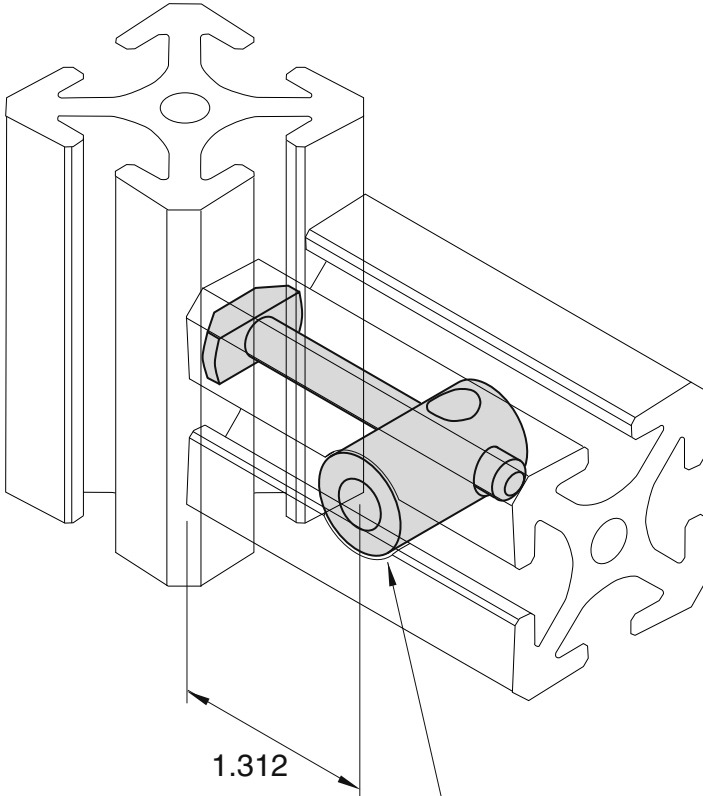


EF-49

with Hardware

5/16" SLOTS



DRILL ϕ 5/8" X 1.00 DEEP

Hardware Included

Use with 5/16" Slot Extrusions Only

Material

Anchor - Cold Rolled Steel

Bolt - Cold Rolled Steel

Set Screw - Steel, Black Oxide Coating