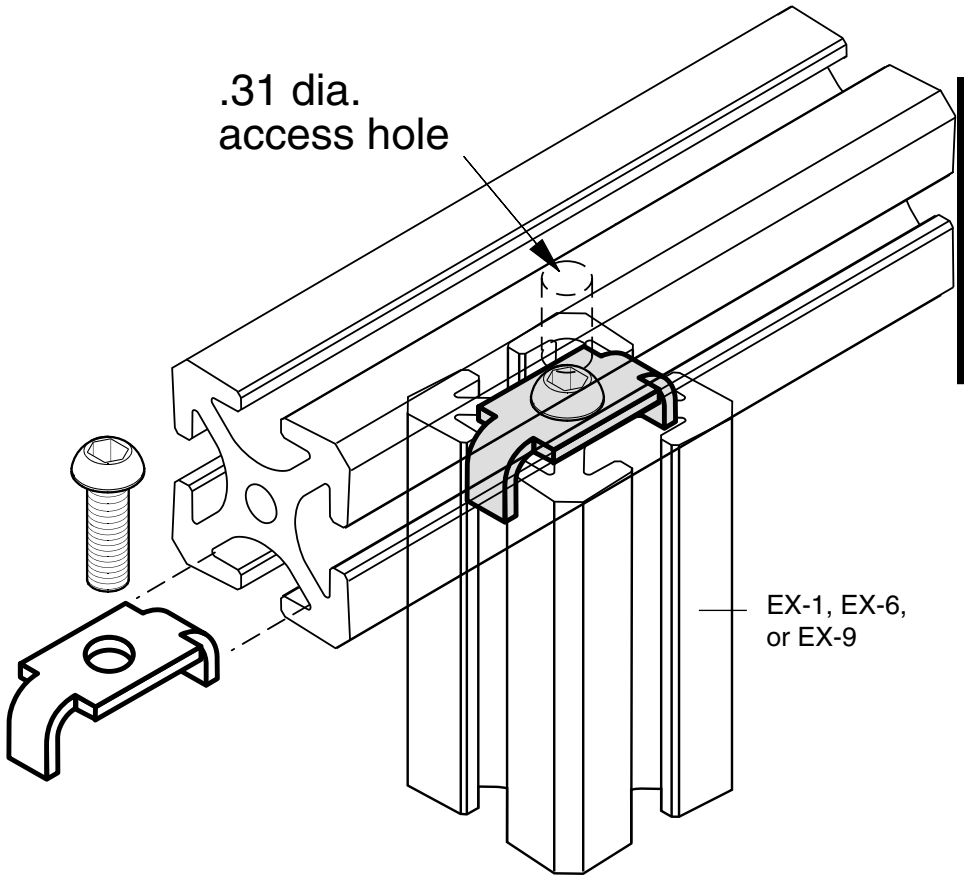


zinc plated steel

**EF-29**

stainless steel

**EF-SS29**



Requires (1) EF-12-1.0  
or (1) EF-12SS-1.0 BHCS