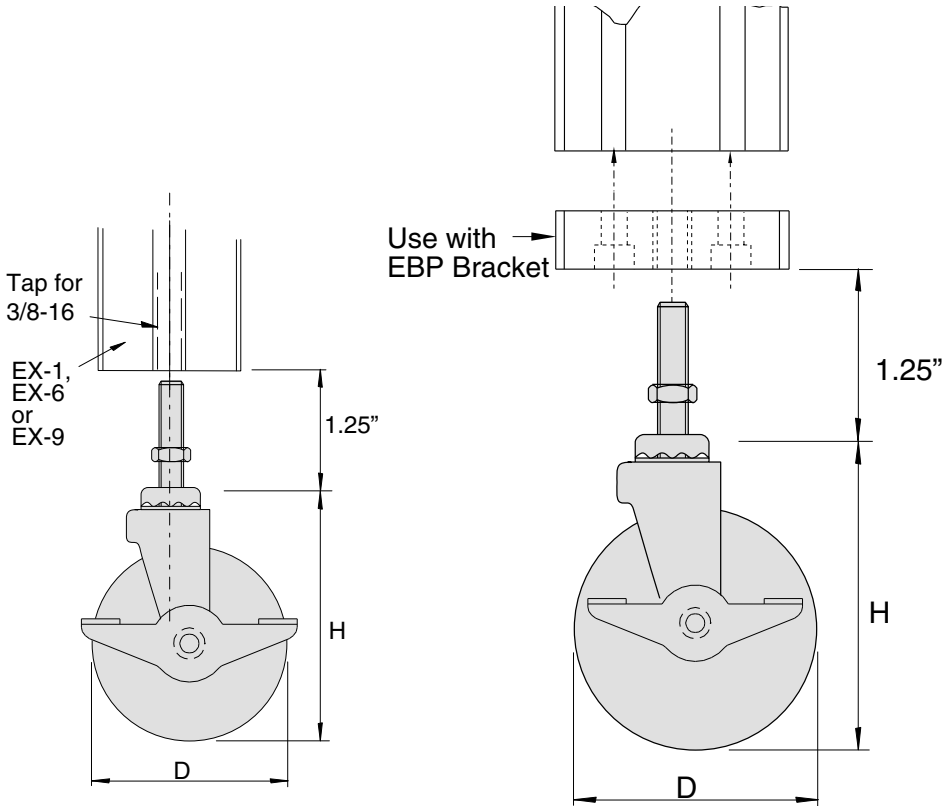


EC-S1

EC-S2

EC-S3



**EC-S1
EC-S2**

EC-S3

Note: Wheel material is hard plastic

Part no.	D	H	Stem	Brake	Max. Load	Wheel Width
EC-S1	2	2 5/8	3/8-16 x 1 1/4	Yes	125 lbs	1.00
EC-S2	3	3 3/4	3/8-16 x 1 1/4	Yes	250 lbs	1.25
EC-S3	4	5	1/2-13 x 1 1/2	Yes	300 lbs	1.25