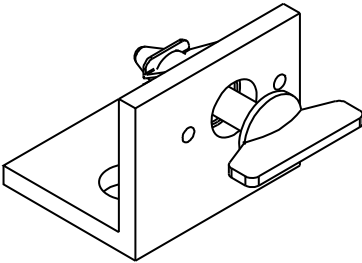
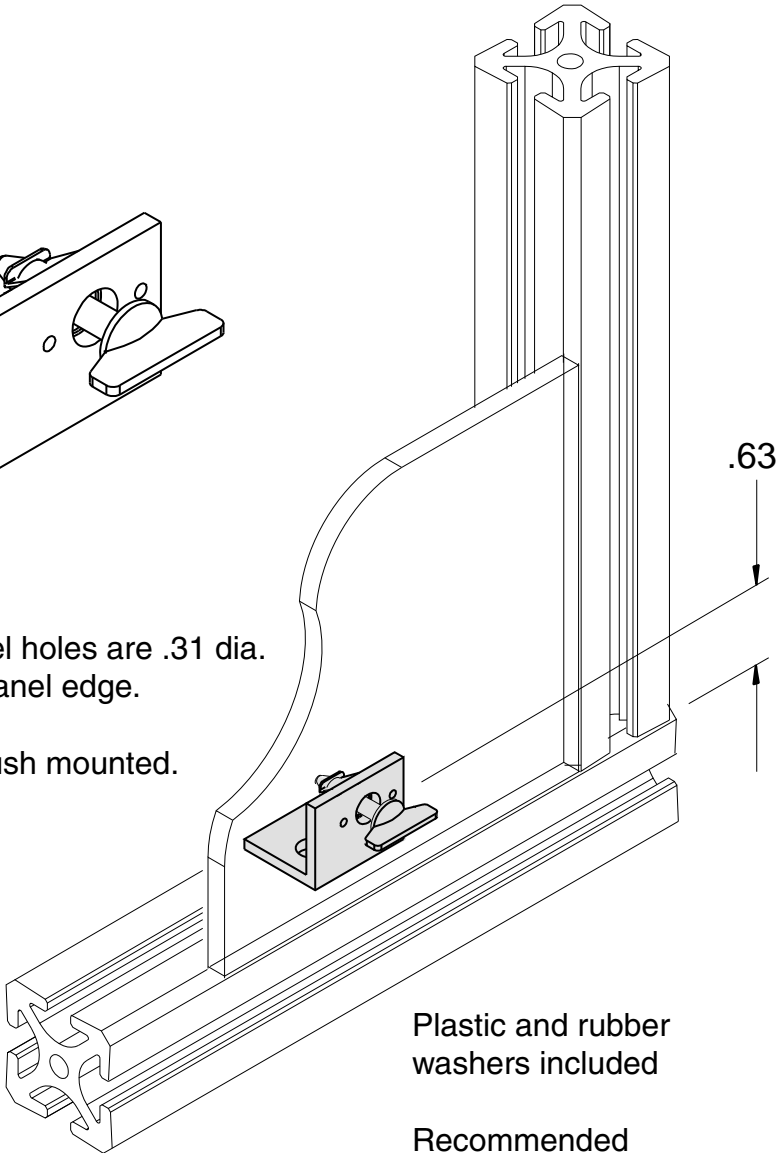


.235 Thick Panel	EB-88A
.220 Thick Panel	EB-88B
.170 Thick Panel	EB-88C



Note: Panel holes are .31 dia.
.63 from panel edge.

Panel is flush mounted.



5/16" SLOTS

Plastic and rubber washers included

- Recommended Hardware
- (1) EF-12-.50 BHCS
 - (1) EF-1 T-nut or
 - (1) EF-2 T-nut