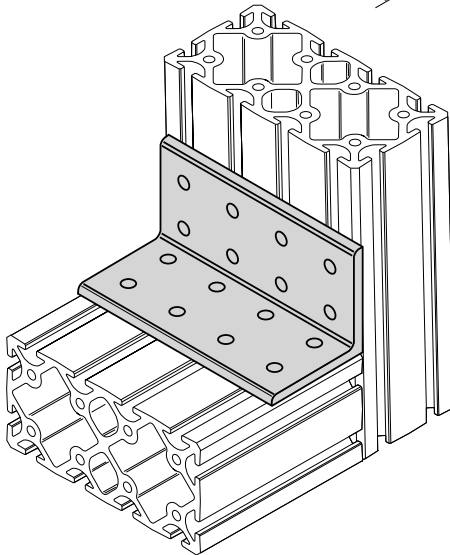
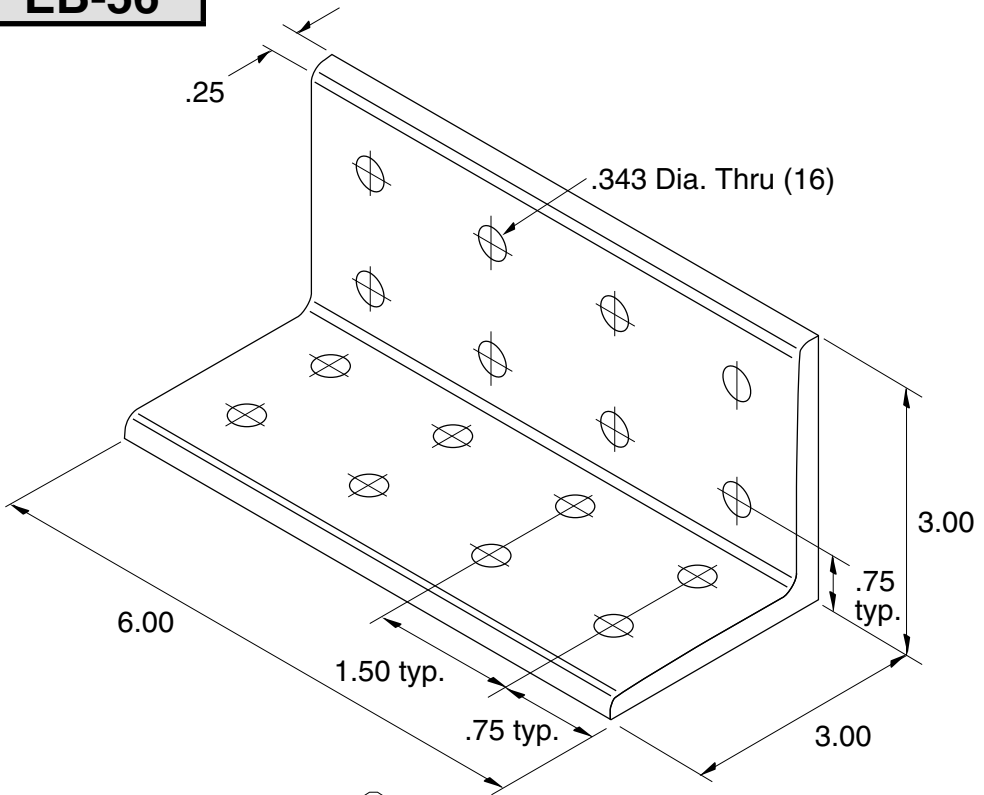


# Corner Angle



**EB-56**

**5/16" SLOTS**



**Recommended Hardware**  
(16) EF-12-.63 BHCS  
(16) EF-2 T-nut

**Material - Aluminum**  
**Finish - Clear Anodize**