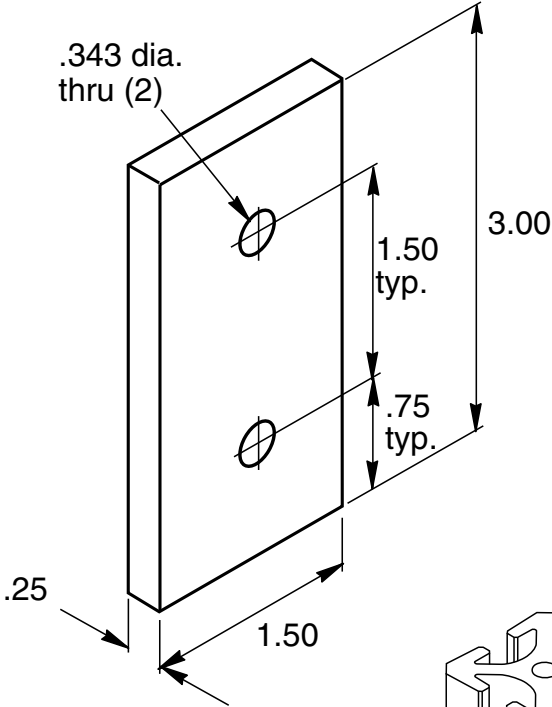


Joining Plate

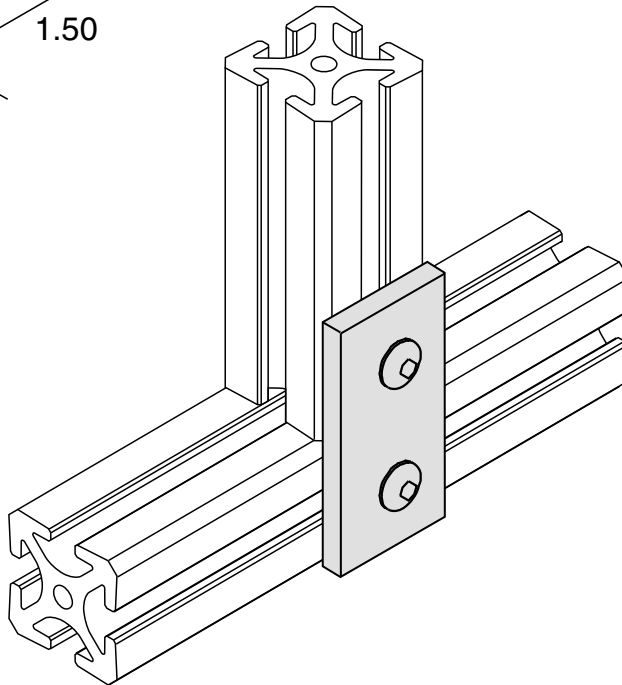


EB-33	Clear Anodized
BLB-33	Flat Black Powder Coat
EB-33-S	Clear Anodized 1 hole is slotted

5/16" SLOTS



Recommended Hardware
(2) EF-12-.63 BHCS
(2) EF-2 T-nut



Material - Aluminum