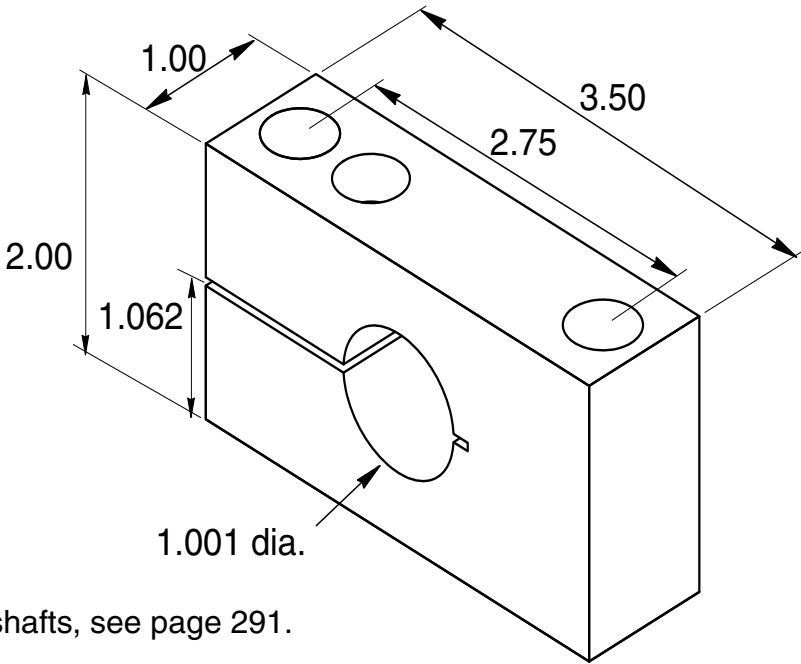


with locking handle  
with locking 5/16 SHCS

**EB-214**

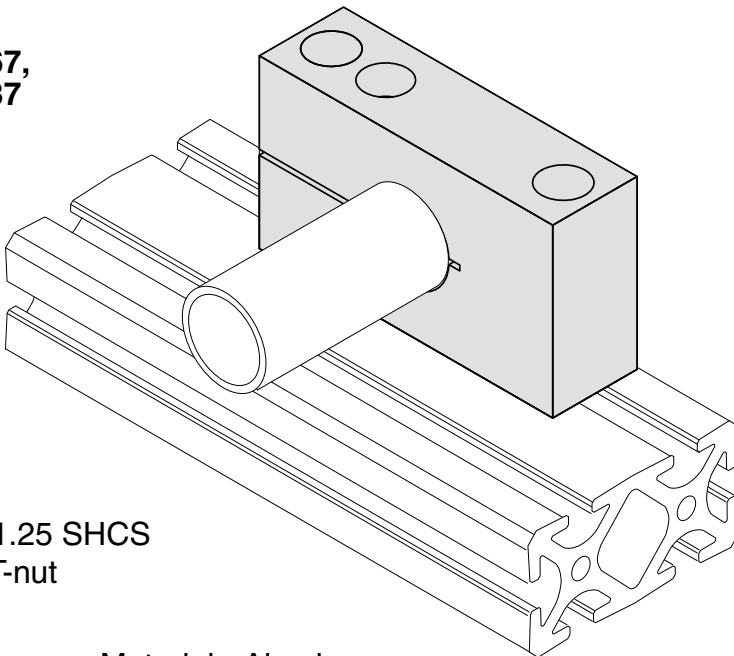
**EB-215**



5/16" SLOTS

For shafts, see page 291.

**EX-2, EX-67,  
EX-3, EX-37**



Requires  
(2) EF-11-1.25 SHCS  
(2) EF-55 T-nut

Material - Aluminum  
Finish - Clear Anodize