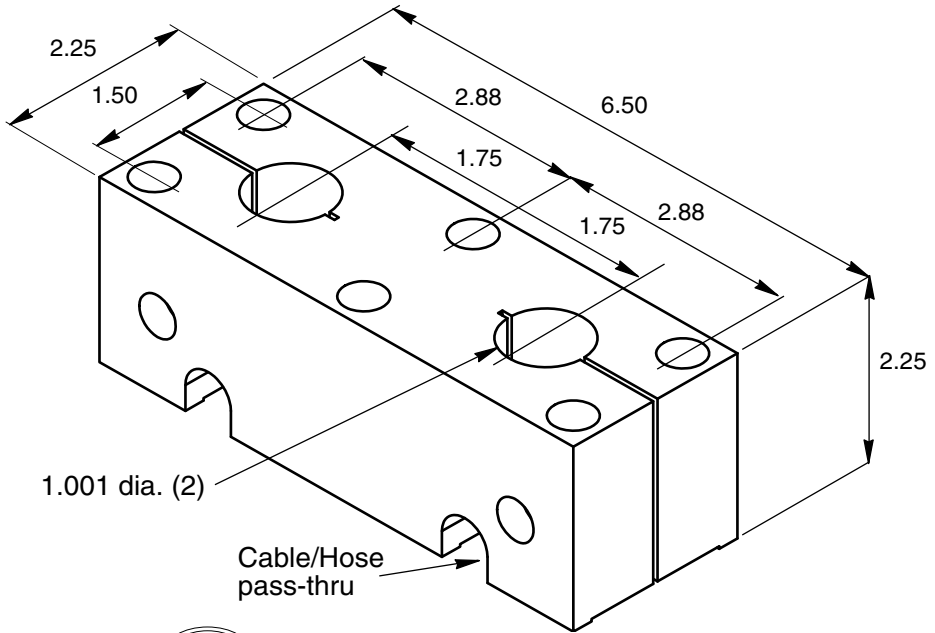


**with locking handle**  
**with locking 5/16 SHCS**

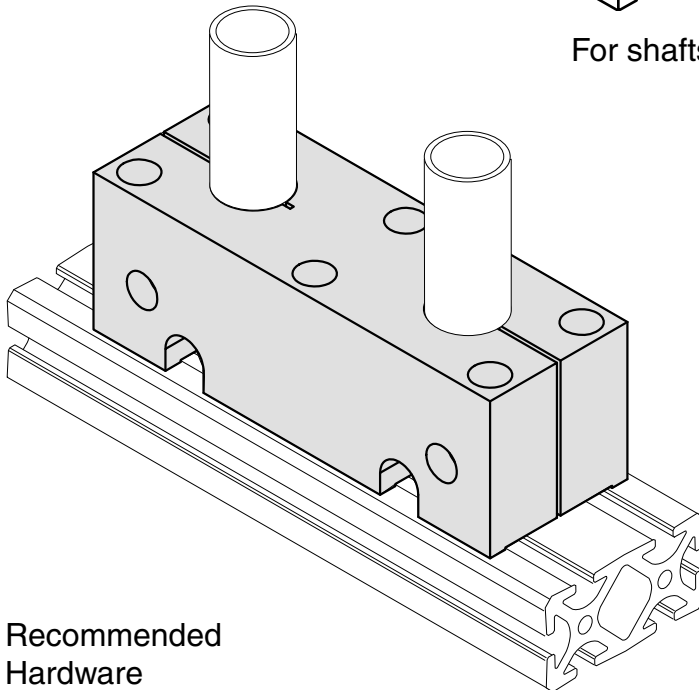
**EB-202**

**EB-203**



**5/16" SLOTS**

For shafts, see page 291.



**EX-2, EX-67,  
EX-3, EX-37**

**Recommended  
Hardware**

- (6) EF-11-1.75 SHCS
- (6) EF-55 T-nut

**Material - Aluminum  
Finish - Clear Anodize**