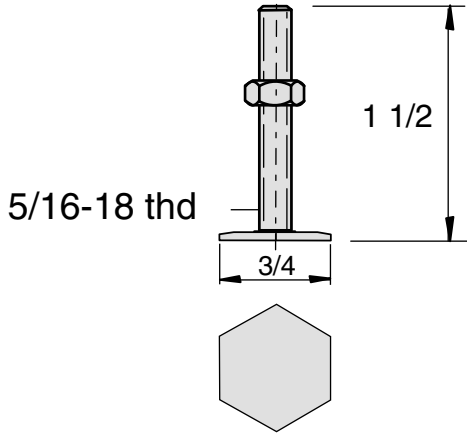
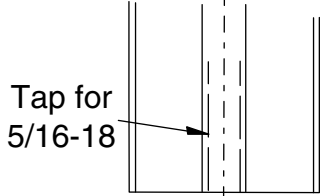


**EAL-E**

**5/16" SLOTS**

**EAL-E1**

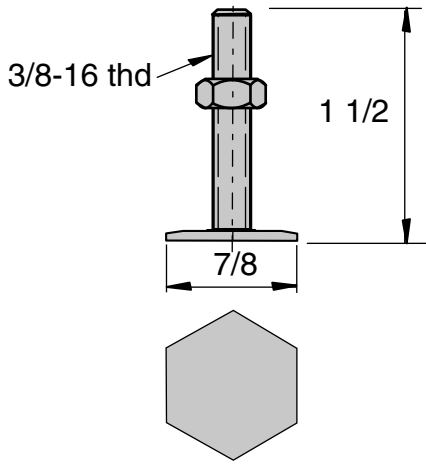
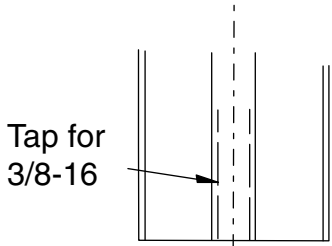
Max load = 1700 lbs ea.



Material - Steel  
Finish - Zinc Plated

**EAL-E2**

Max load = 1700 lbs ea.



Material - Steel  
Finish - Zinc Plated