

Magnetic Non-Contact Switch (Small)

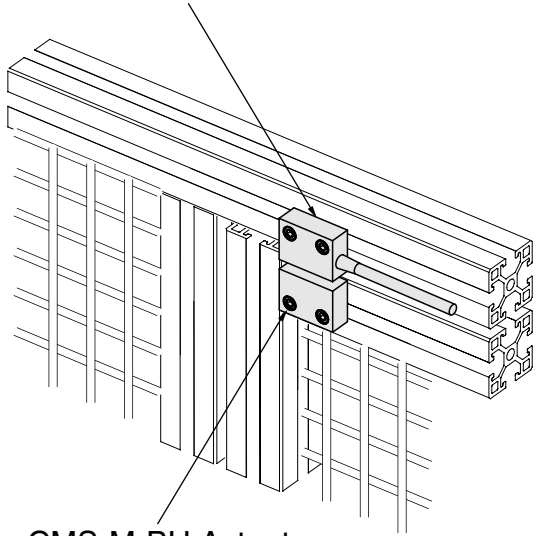


CMS-B2

1 or 2 CMS-B1 Non-Contact switches are connected in parallel to achieve a Category 2 or 3 safety system when connected to a CMS-E-AR evaluation unit.

Up to 30 read heads can be connected in SERIES to achieve a Category 1 or 2 system using the CMS-E-AR evaluation unit. Order (1) CMS-B1-AR parallel connection read head plus additional CMS-B2-AR read heads up to the total # needed for the guard.

CMS-R-BXP Read Head



CMS-M-BH Actuator

SAFETY

Evaluation Unit

CMS-E-AR

1-2 Read Heads (CMS-B1):
Normally Open (NO) contacts
wired in parallel

3-30 Read Heads (1 CMS-B1; 2+
CMS-B2): NO contacts wired in
series

Please visit FRAME-WORLD.com
for more technical information and
specifications.

