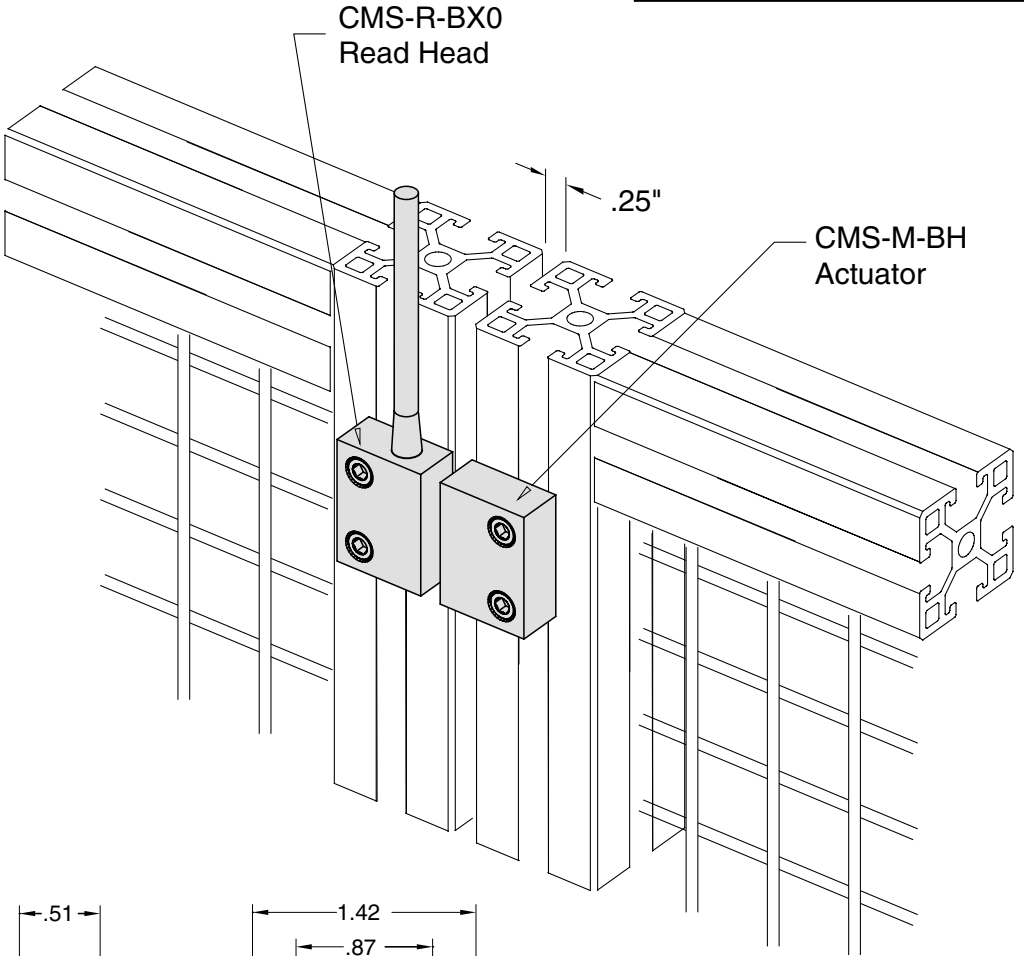
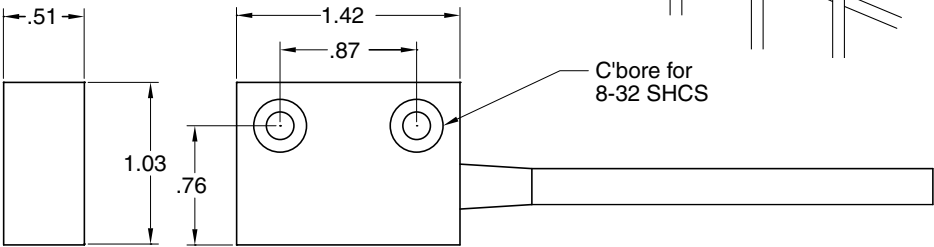


**CMS-B1**



**SAFETY**



Hardware for mounting  
on 5/16" slot extrusion included

