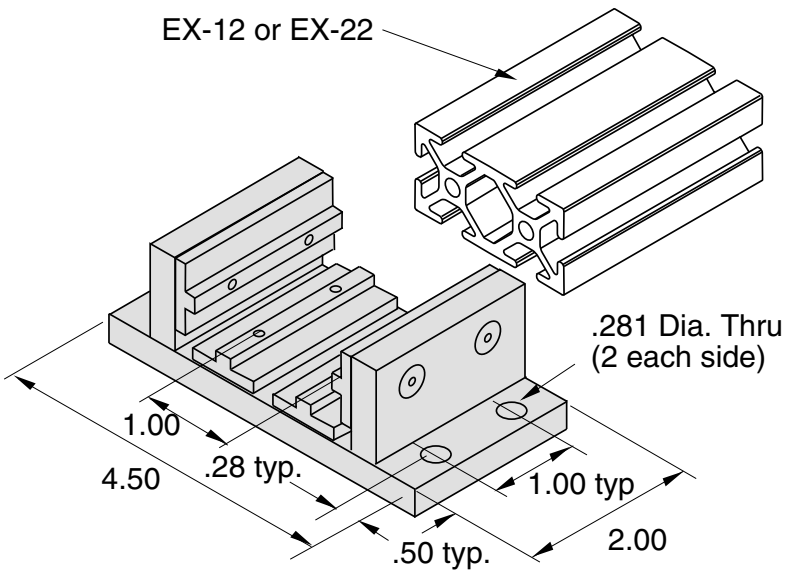
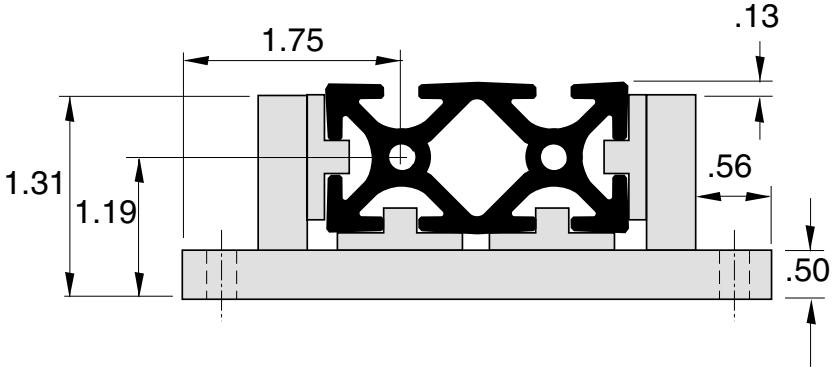


**11-94**



**1/4" SLOTS**

Recommended  
Hardware  
(4) 11-233 BHCS  
(4) 11-205 T-nut

Bearing Material - DELRIN  
Plate Material - Aluminum  
Finish - Clear Anodize