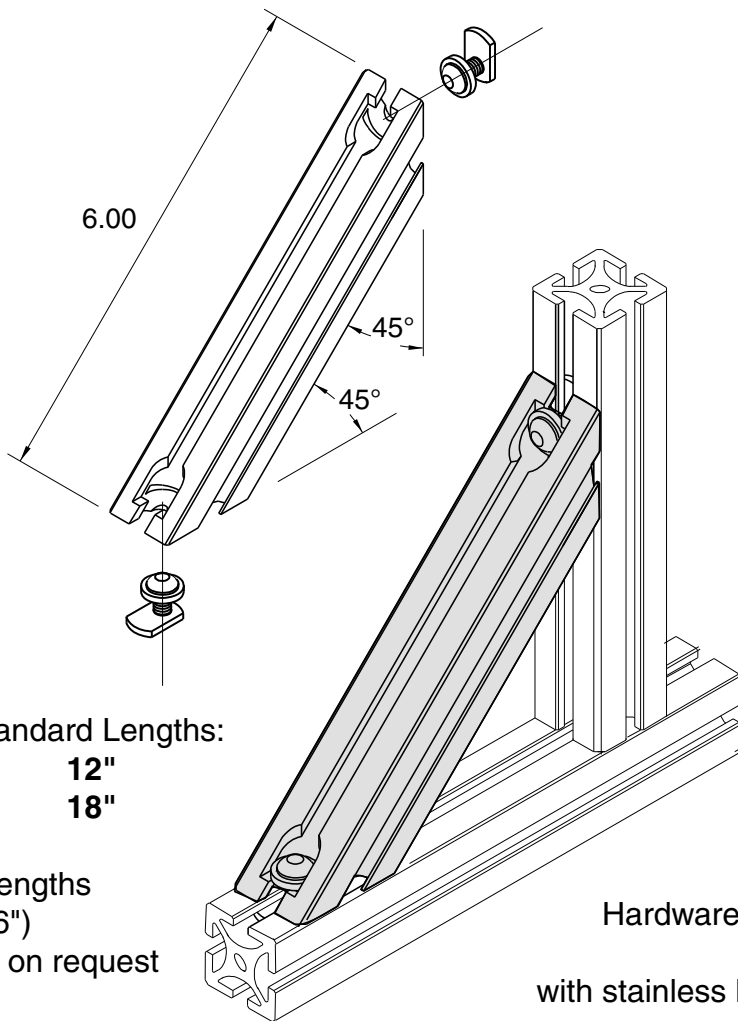


Extrusion Gusset



11-7
11-BLK-7

Clear Anodized
Black Anodized



1/4" SLOTS

Other Standard Lengths:

- 11-7-12 12"**
- 11-7-18 18"**

Special lengths
 (up to 96")
 available on request
11-7-SP

Hardware included

with stainless hardware
11-7-SS

with metric hardware
11-7-M

with stainless metric hardware
11-7-SSM

Material - Aluminum (EX-11, BLX-11)