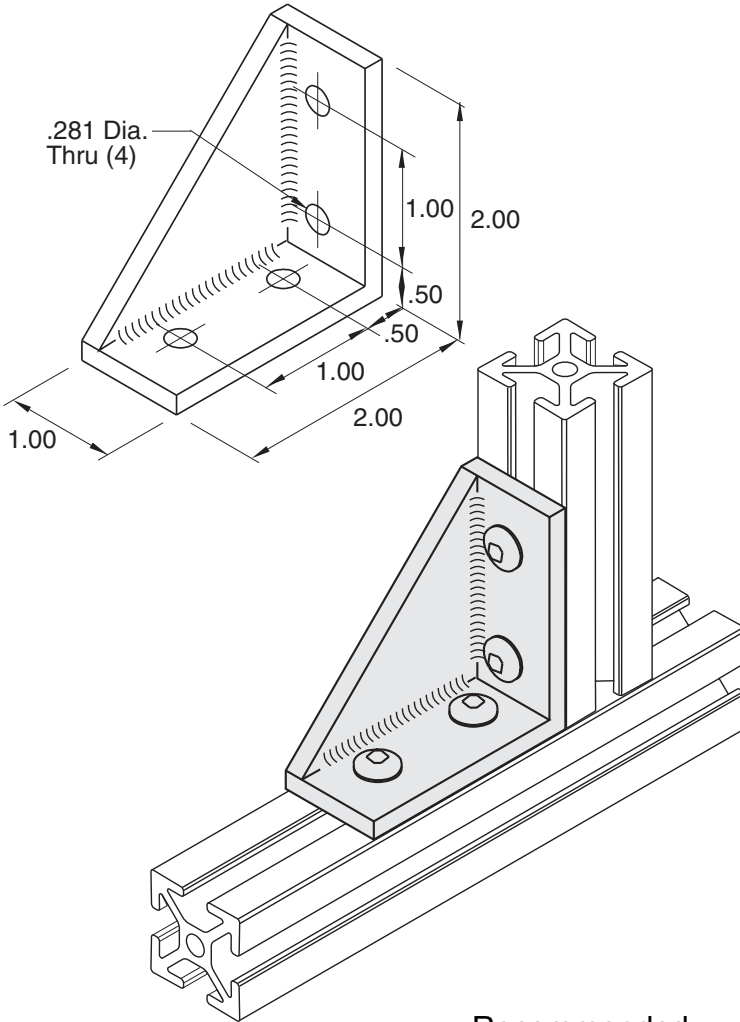


**11-60**



Recommended  
Hardware  
(4) 11-230 BHCS  
(4) 11-210 T-nut

Material - Steel  
Finish - Black Powder Coat

1/4" SLOTS