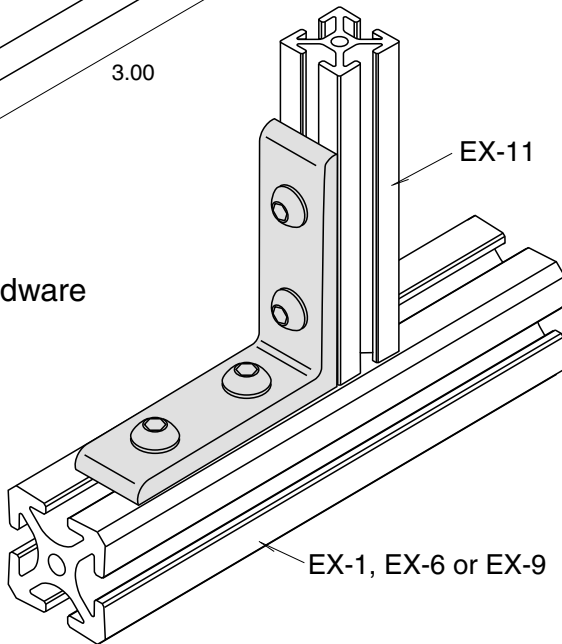
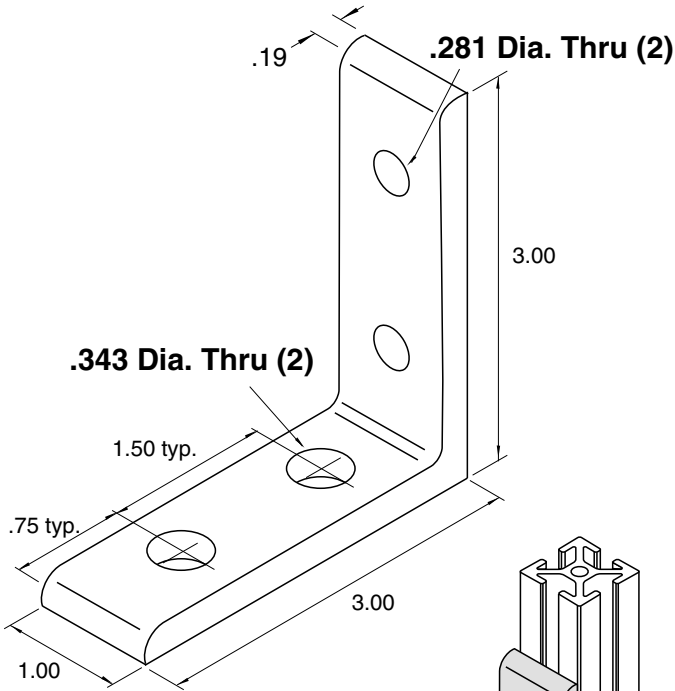


Transition Corner Angle



11-54

.33 wide slot to .27 wide slot



Recommended Hardware

- (2) 11-231 BHCS
- (2) 11-210 T-nut
- (2) EF-12.63 BHCS
- (2) EF-2 T-nut

1/4" SLOTS

Material - Aluminum
Finish - Clear Anodize