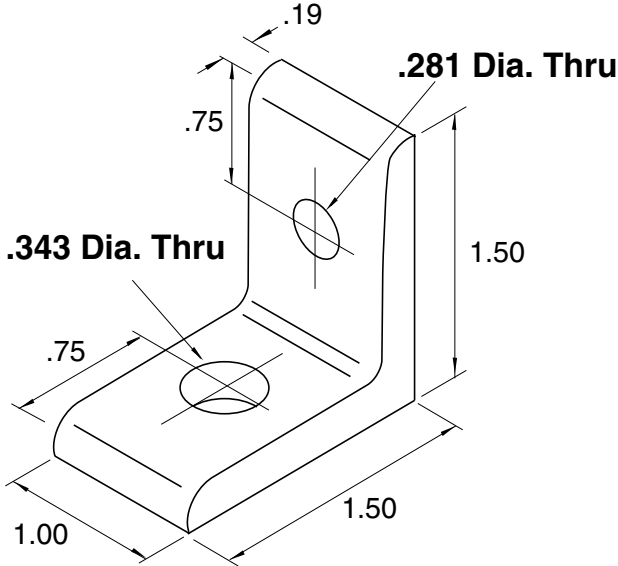


Transition Corner Angle



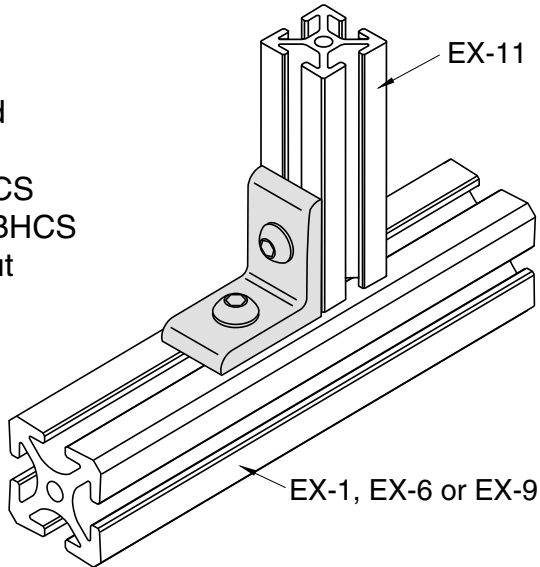
11-53

.33 wide slot to .27 wide slot



Recommended Hardware

- (1) 11-231 BHCS
- (1) EF-12-.63 BHCS
- (1) 11-210 T-nut
- (1) EF-2 T-nut



Material - Aluminum
Finish - Clear Anodize

1/4" SLOTS