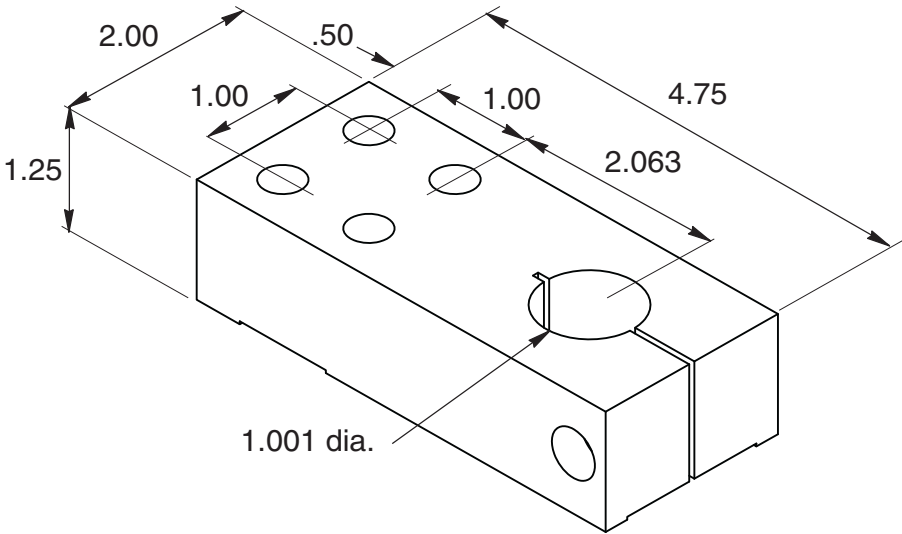


# Single Shaft Mounting Base



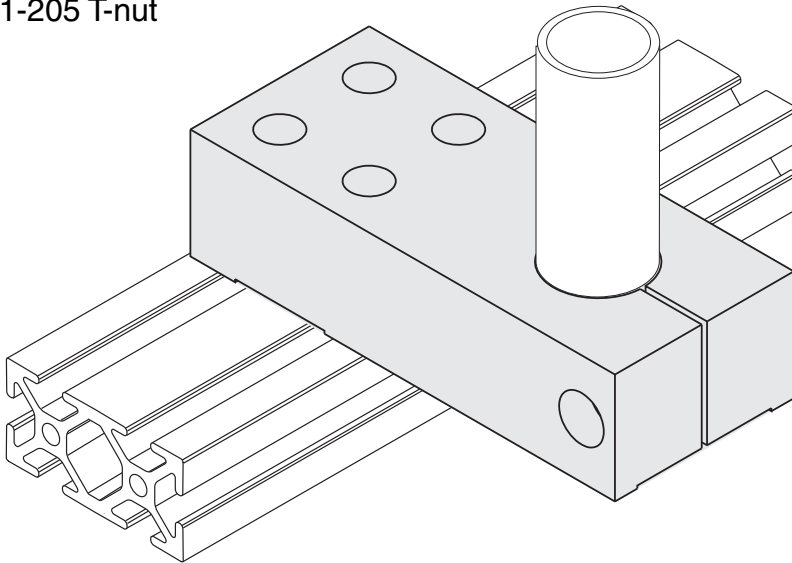
<b>11-504</b>	<b>with locking handle</b>
<b>11-505</b>	<b>with locking 5/16 SHCS</b>



Recommended Hardware  
(4) 11-223 SHCS  
(4) 11-205 T-nut

For shafts, see page 503

1/4" SLOTS



Material - Aluminum  
Finish - Clear Anodize