

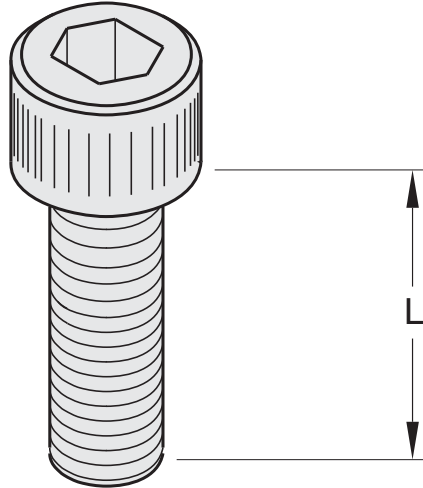
11-450

m6 x 1.0 thd

Steel	length
11-450-10	10mm
11-450-12	12mm
11-450-16	16mm
11-450-20	20mm
11-450-25	25mm
11-450-30	30mm
11-450-35	35mm

Stainless Steel

11-450SS-10	10mm
11-450SS-12	12mm
11-450SS-16	16mm
11-450SS-20	20mm
11-450SS-25	25mm
11-450SS-30	30mm
11-450SS-35	35mm



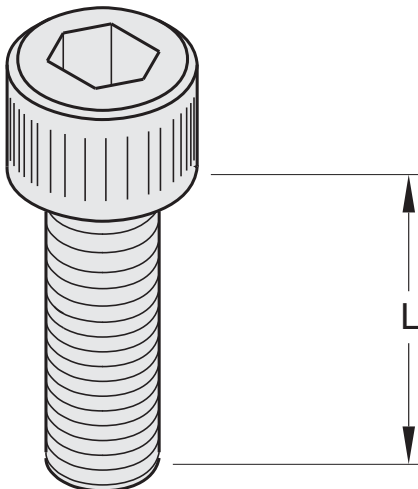
**Stainless Steel
Socket Head Cap Screw**

11-452

1/4-20 thd

L-inch

11-452 -.5
11-452 -.63
11-452 -.75
11-452 -1.0
11-452 -1.25
11-452 -1.5



1/4" SLOTS