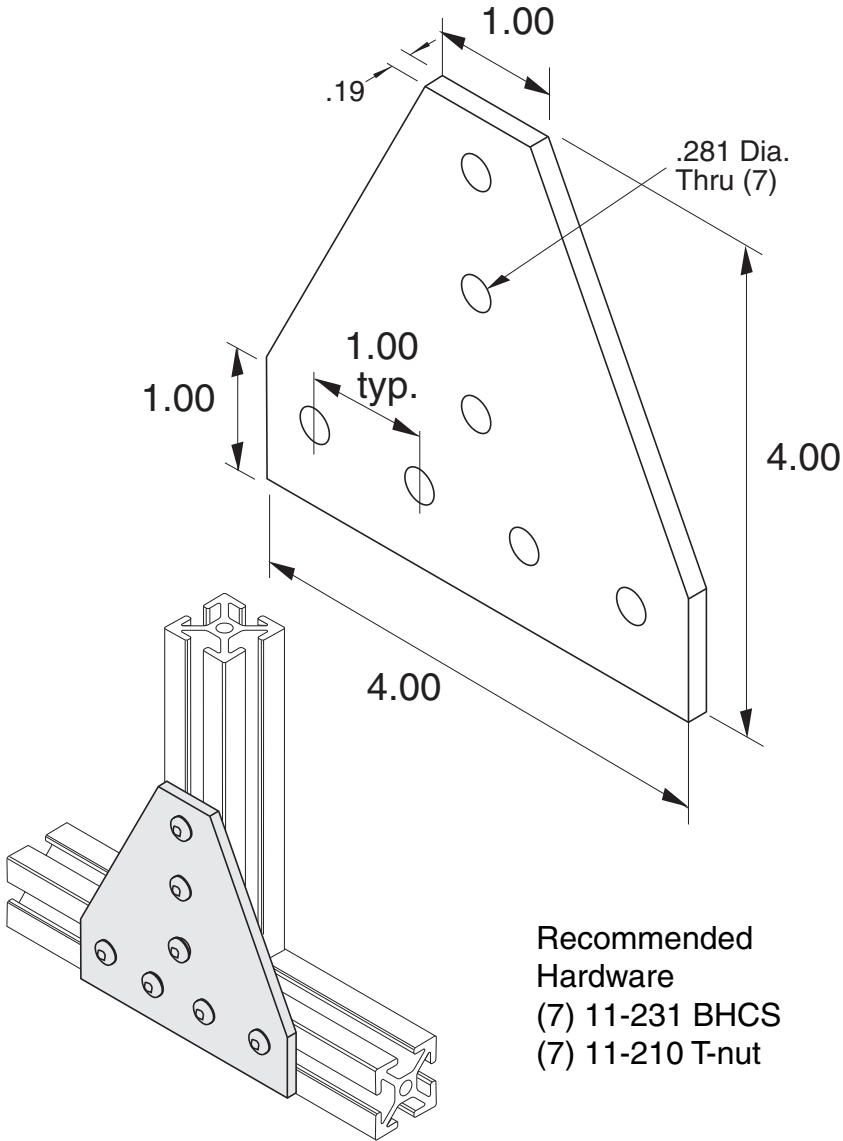


11-43



Recommended Hardware
(7) 11-231 BHCS
(7) 11-210 T-nut

Material - Aluminum
Finish - Clear Anodize