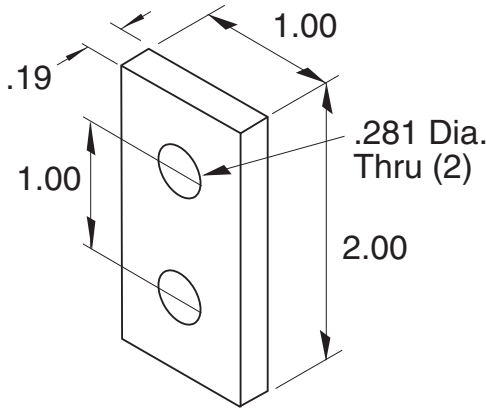


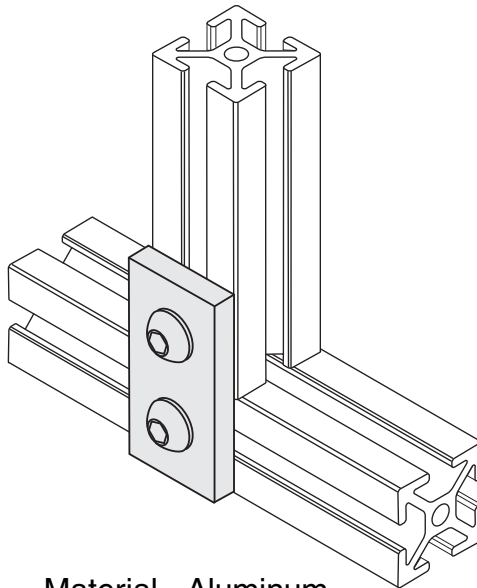
# Joining Plate



<b>11-38</b>	<b>Clear Anodized</b>
<b>11-BLK-38</b>	<b>Flat Black Powder Coat</b>
<b>11-38-S</b>	<b>1 Slotted Hole</b>



Recommended Hardware  
(2) 11-231 BHCS  
(2) 11-210 T-nut



Material - Aluminum

1/4" SLOTS