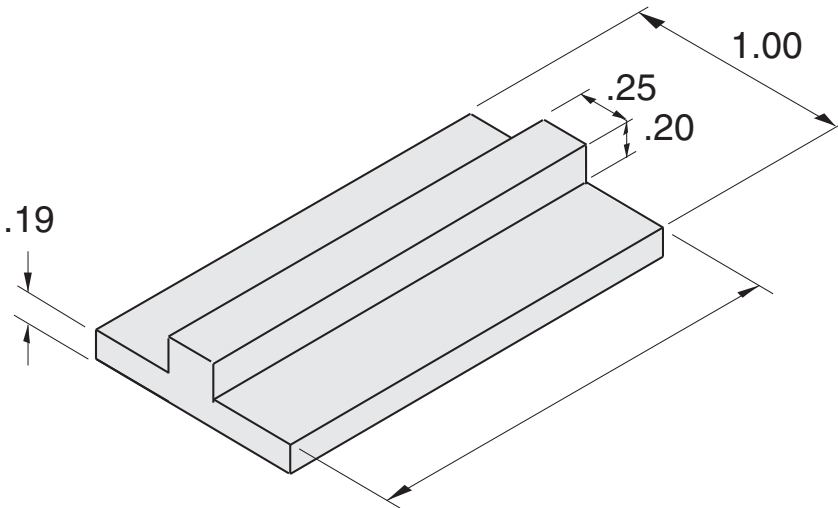


Blank Bearing Pad UHMW



11-302

for 1/4" slot extrusions



1/4" SLOTS

Stock Length 60"

Material - UHMW (White)