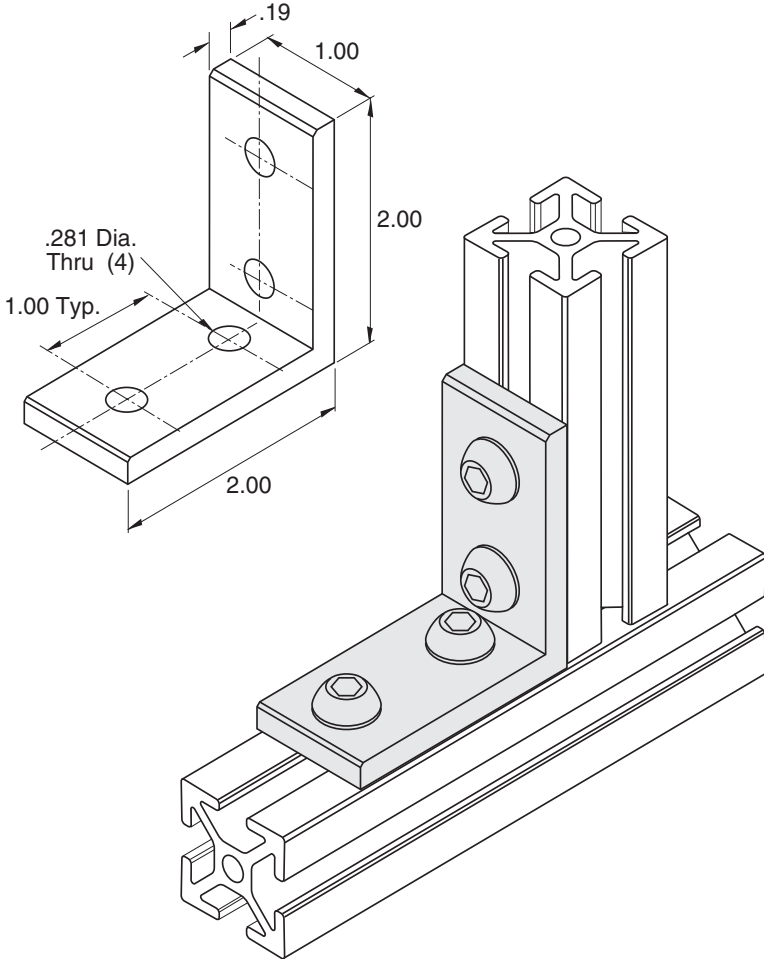


11-3
11-BLK-3

Clear Anodized
Flat Black Powder Coat



1/4" SLOTS

Recommended Hardware
(4) 11-231 BHCS
(4) 11-210 T-nut

Material - Aluminum