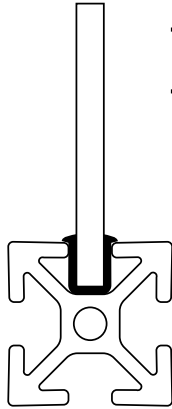


3/16" for .170 thick panels

11-298

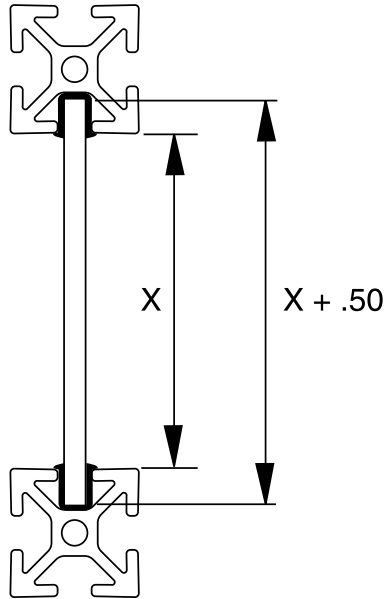
1/8" for .125 thick panels

11-299

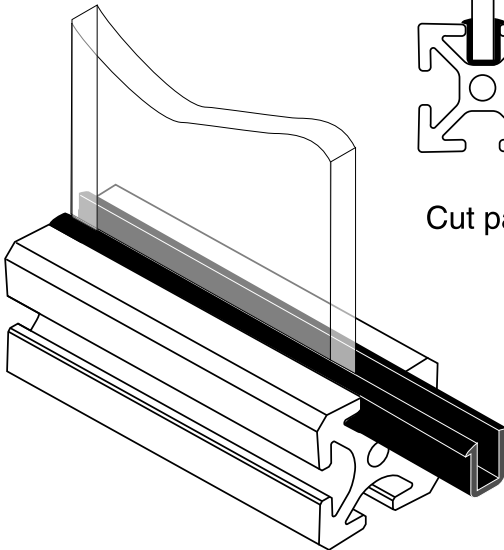


11-298 for .170 thick panels

11-299 for .125 thick panels



Cut panel to $X + .50$ "



Material:
Flexible Vinyl
(Gray)

1/4" SLOTS