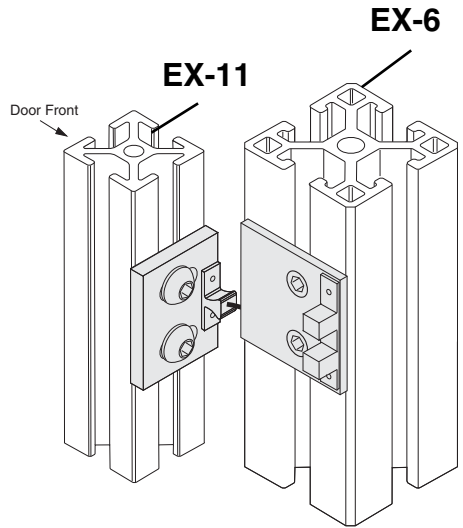
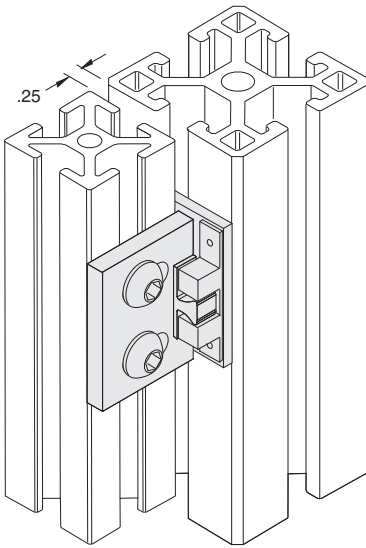
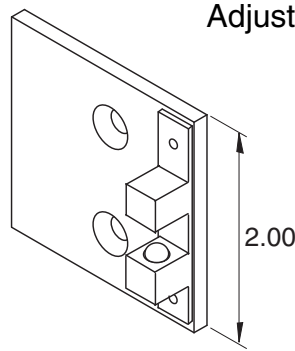
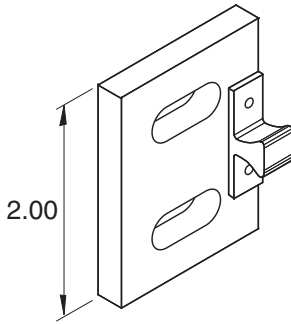


# Transition Mechanical Latch 5/16 - 1/4" slots



**11-283**



**1/4" SLOTS**

Hardware Included  
Material Mounting Plates: Aluminum, Clear Anodize  
Latch: Zinc Plated Brass