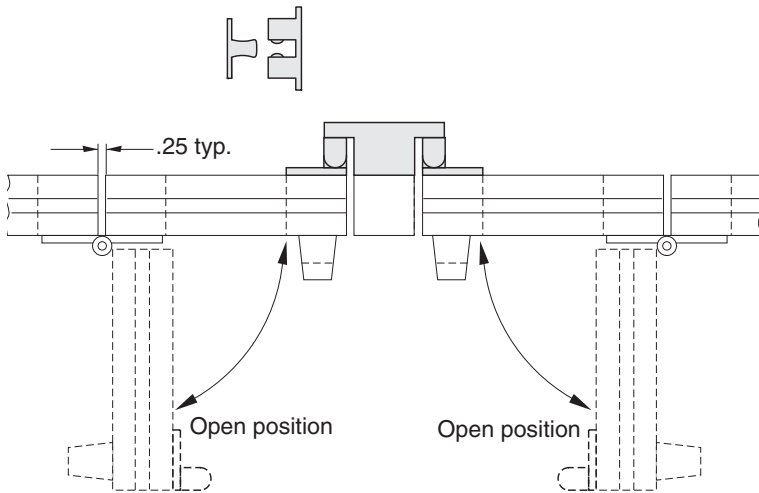


Catch Material - Zinc Plated Brass
Base Material - Aluminum

Double Door Mechanical Latch



Hardware and Mounting Brackets Included

Catch Material - Zinc Plated Brass
Base Material - Aluminum

1/4" SLOTS