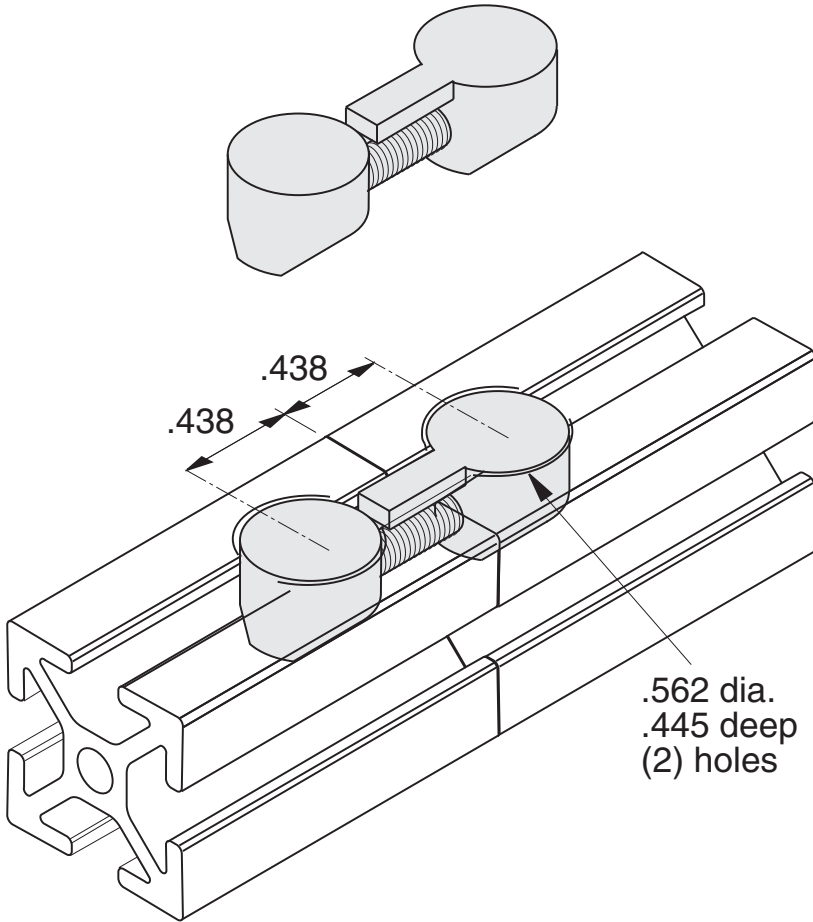


11-243

with metric Hardware

11-243M



Hardware Included

Material:

**Anchor - Cast Zinc, Zinc Plated
Bolt - Steel, Black Oxide Coating
T-nut - Steel Zinc Coated**

1/4" SLOTS