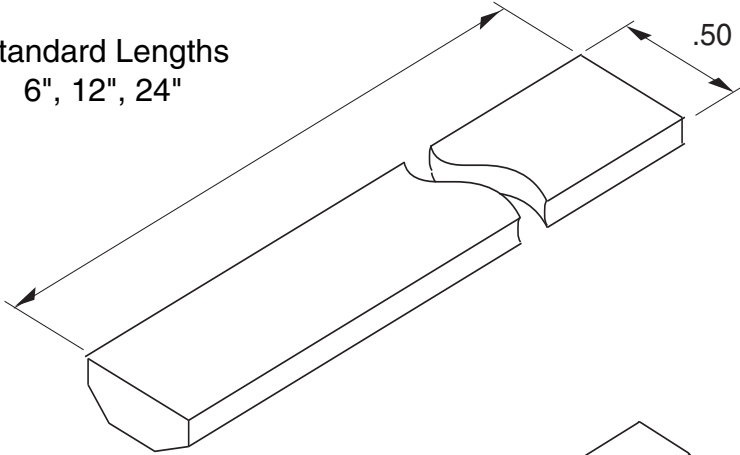


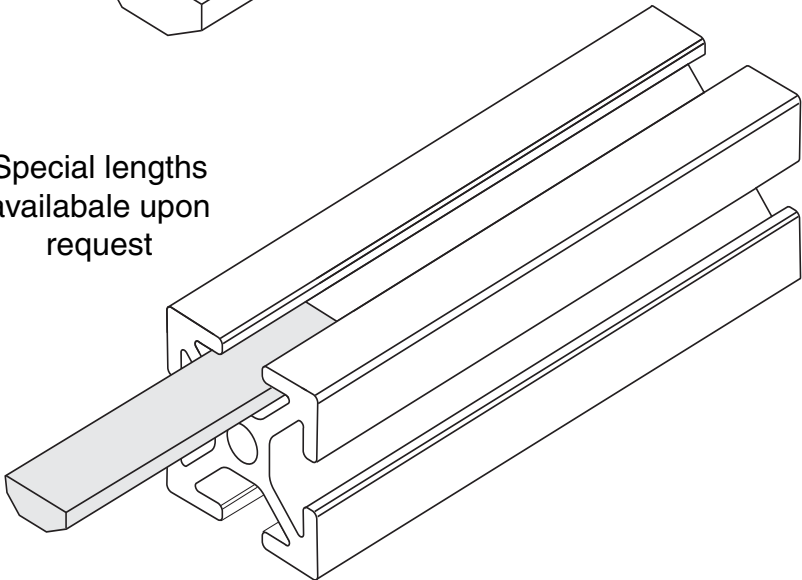
.25 inch slot size

11-218B

Standard Lengths
6", 12", 24"



Special lengths
available upon
request



Note: Factory supplied tapped
holes can be supplied per
customer specification

Material - Steel
Finish - Zinc Plated

1/4" SLOTS