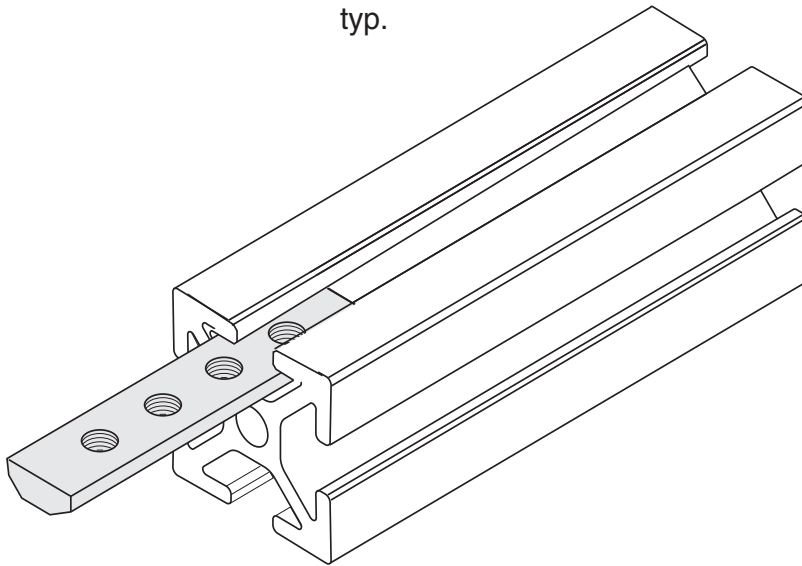
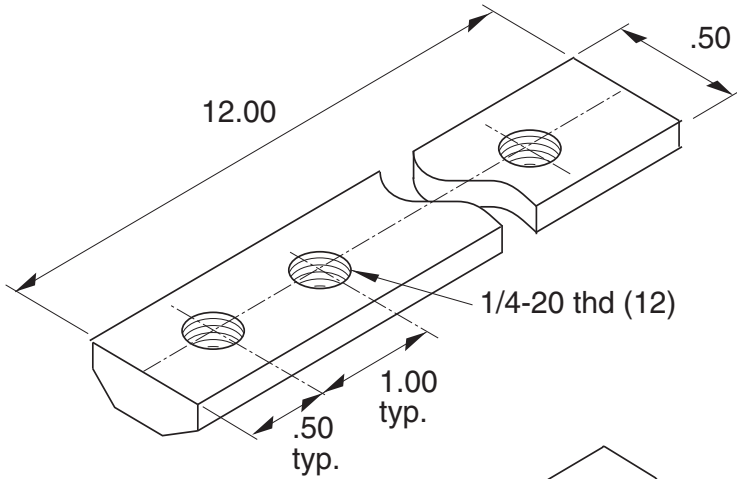


Continuous T-nut



11-218

.26 slot width



1/4" SLOTS

Special Lengths can be provided on request
Material is zinc plated steel

Material - Steel
Finish - Zinc Plated