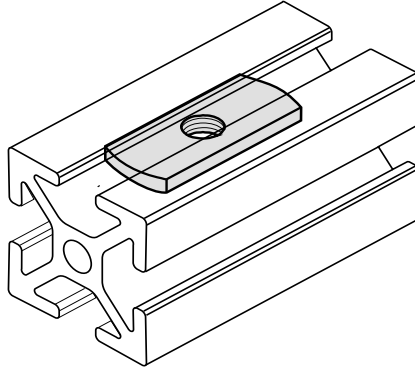
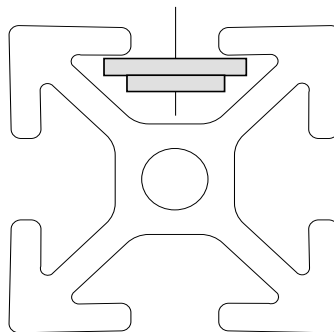
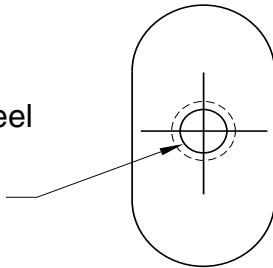


<b>11-215</b>
<b>11-215SS</b>
<b>11-216</b>
<b>11-217</b>
<b>11-219</b>



- 11-215** 1/4-20 thd
- 11-215SS** Stainless Steel
- 1/4-20 thd
- 11-216** 10-32 thd
- 11-217** 8-32 thd
- 11-219** 6-32 thd



**Material - Steel**  
**Finish - Zinc Plated**

**1/4" SLOTS**