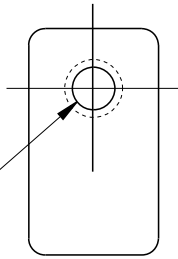
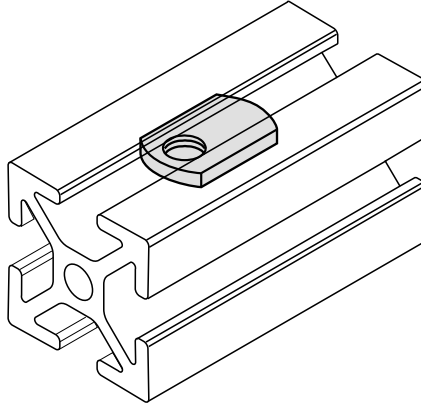


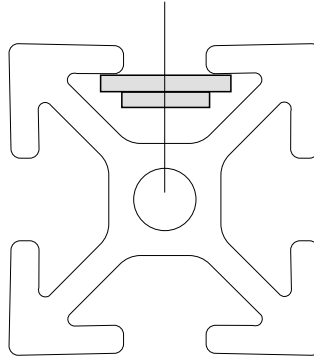
Economy T-Nut (Offset Thread)



11-210
11-211
11-212
11-213
11-214
11-239



- 11-210 1/4-20 thd
- 11-211 10-32 thd
- 11-212 m6 x 1.0 thd
- 11-213 8-32 thd
- 11-214 6-32 thd
- 11-239 m5 x 0.8 thd



1/4" SLOTS

Material - Steel
Finish - Zinc Plated