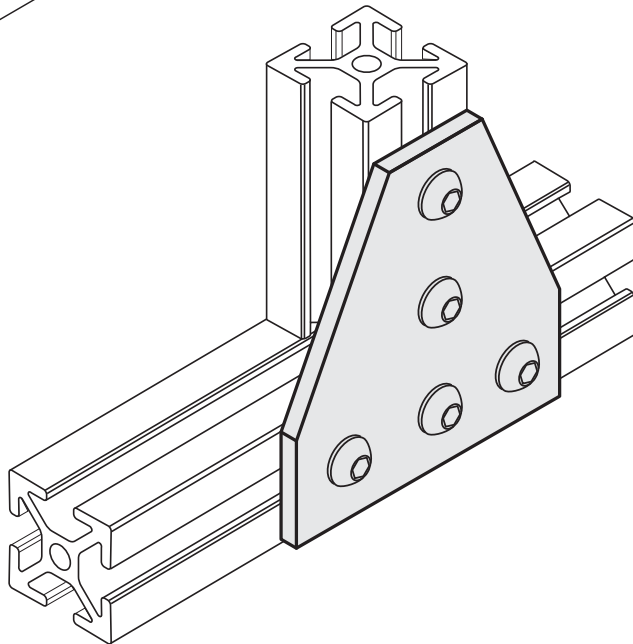


Recommended
Hardware
(5) 11-231 BHCS
(5) 11-210 T-nut



1/4" SLOTS

**Material - Aluminum
Finish - Clear Anodize**