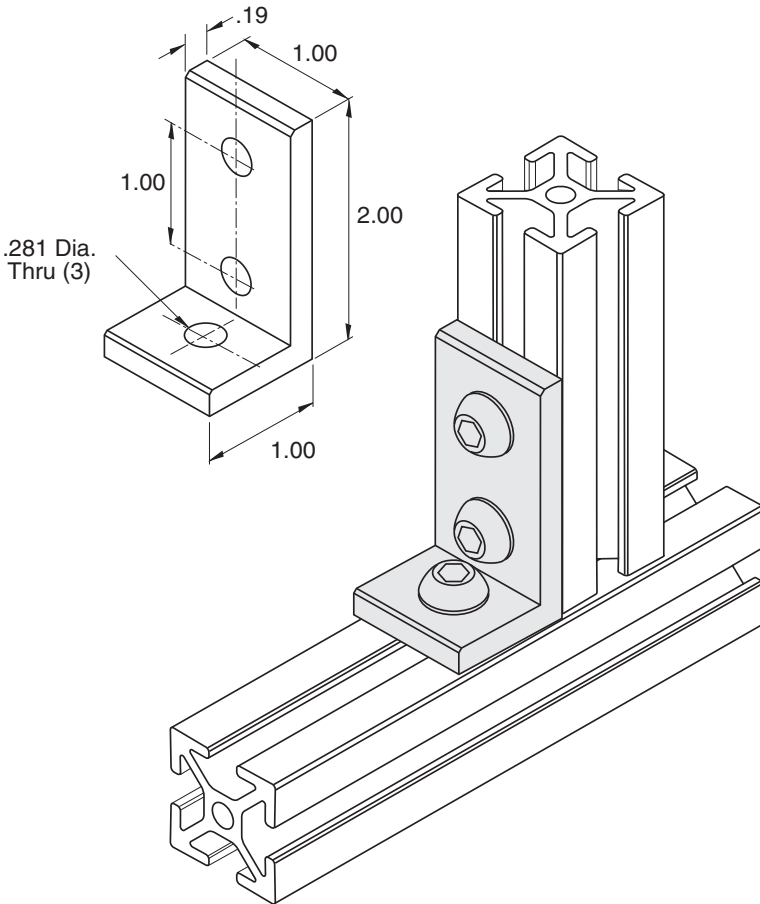


**Clear Anodized
Flat Black Powder Coat**

11-2
11-BLK-2



Recommended Hardware
(3) 11-231 BHCS
(3) 11-210 T-nut

Material - Aluminum

1/4" SLOTS