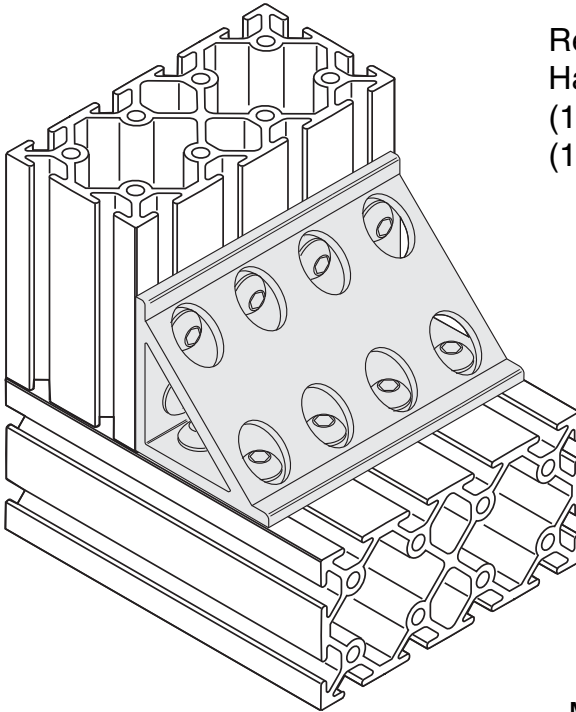
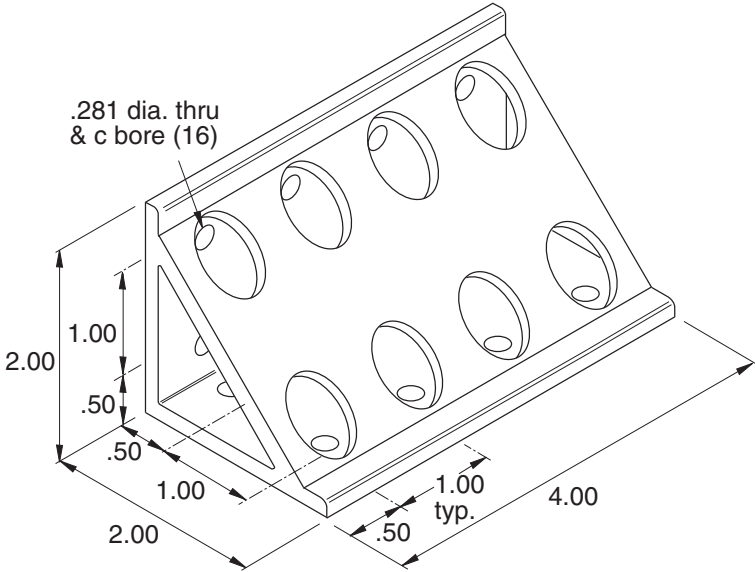


Corner Gusset



11-173



Recommended
Hardware
(16) 11-231 BHCS
(16) 11-210 T-nut

1/4" SLOTS

Material - Aluminum
Finish - Clear Anodize