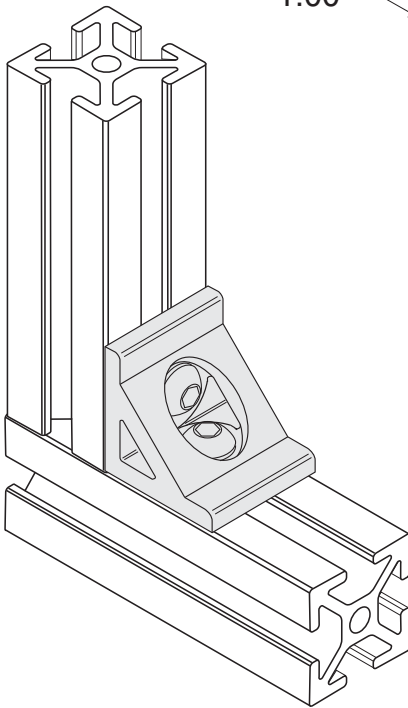
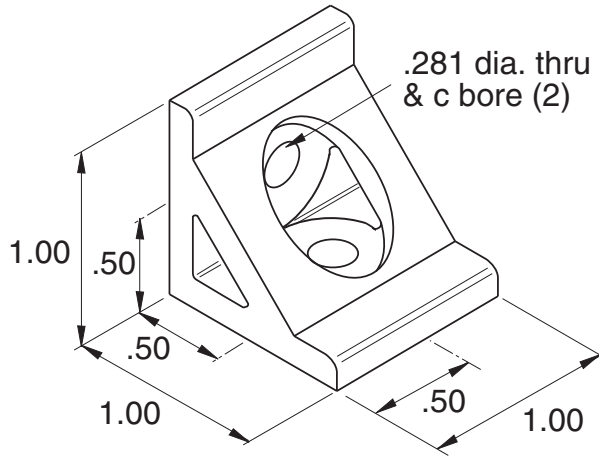


Clear Anodized	11-160
Flat Black Powder Coat	11-BLK-160



Recommended
Hardware
(2) 11-231 BHCS
(2) 11-210 T-nut

Material - Aluminum

1/4" SLOTS