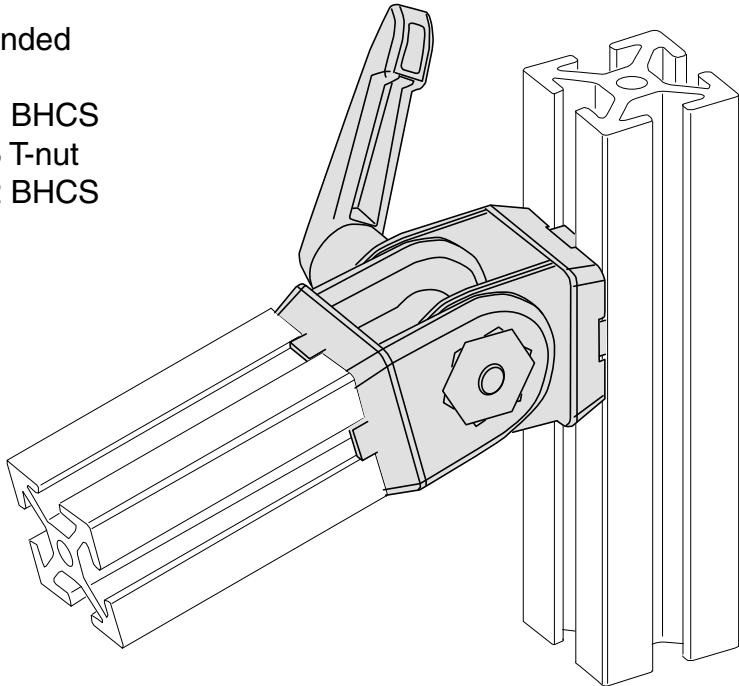


**Recommended
Hardware**

- (1) 11-231 BHCS
- (1) 11-205 T-nut
- (1) 11-232 BHCS



1/4" SLOTS

**Material Body - Die Cast Zinc
Handle - Reinforced Glass Filled Nylon**