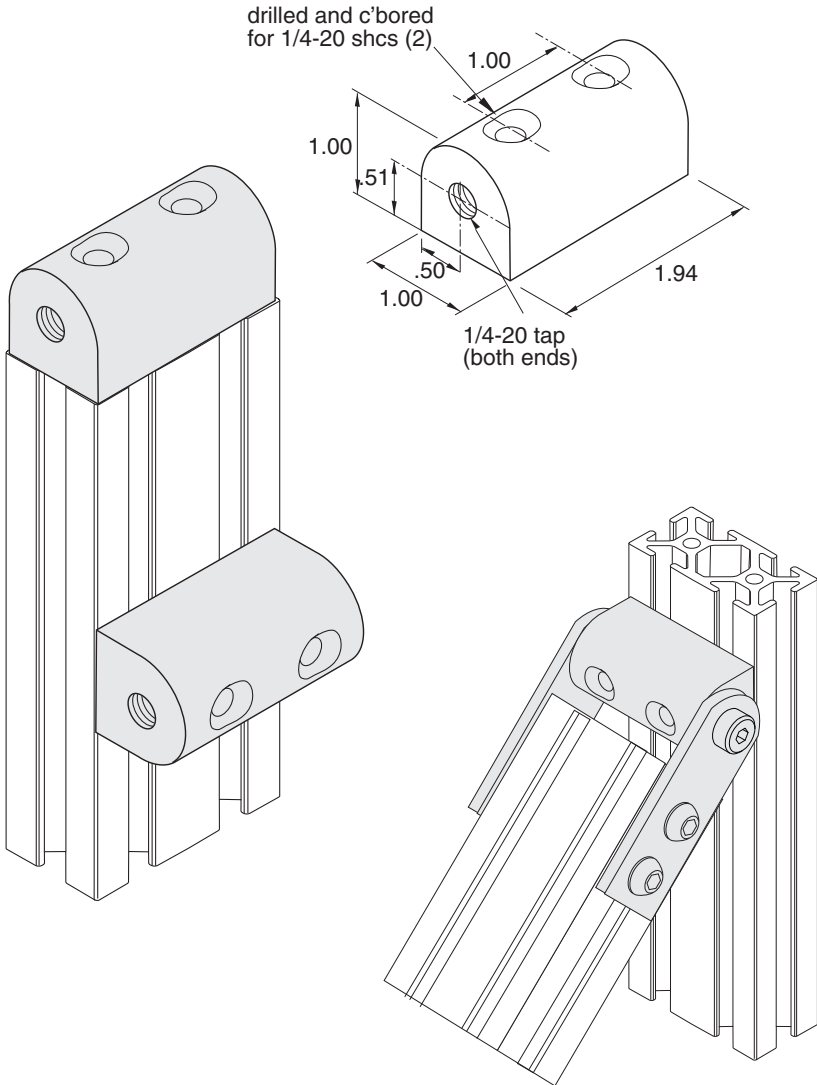


use with 11-105 or 11-107

**11-108**



**Recommended  
Hardware**  
(2) 11-224 BHCS  
(2) 11-210 T-nut

**Assembled**  
(2) 11-105  
(1) 11-108  
(2) 11-204

**Material - Aluminum  
Finish - Clear Anodize**

**1/4" SLOTS**