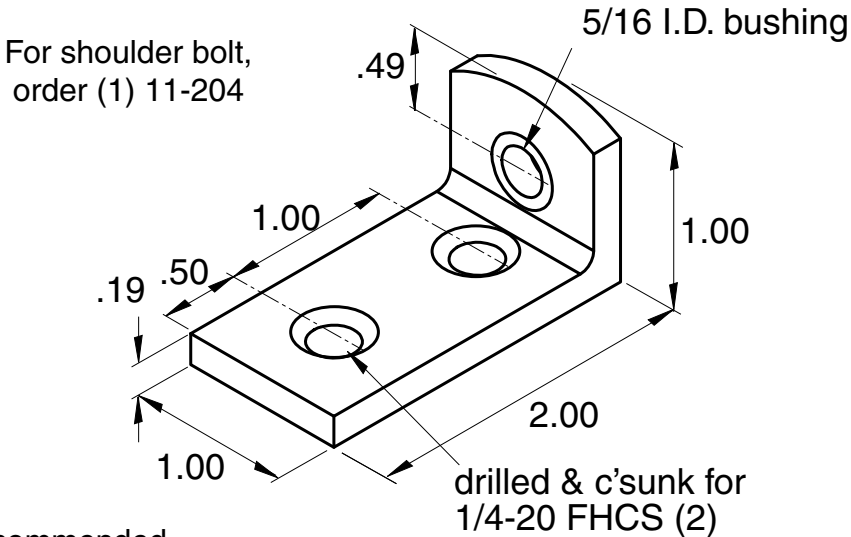


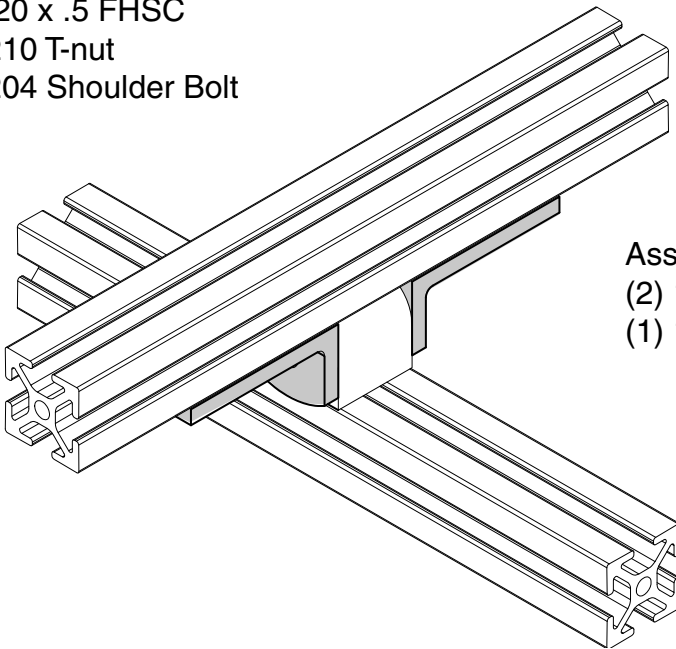
Pivoting Post Angle with Bushing



11-107 use with 11-108 or 11-109



- Recommended Hardware
- (2) 1/4-20 x .5 FHSC
 - (2) 11-210 T-nut
 - (1) 11-204 Shoulder Bolt



1/4" SLOTS

Material - Aluminum
Finish - Clear Anodize