

# Pivoting Post Arm with Bushing

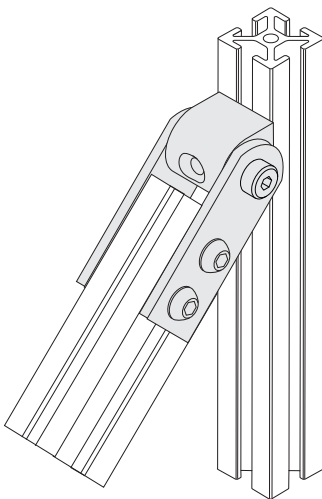
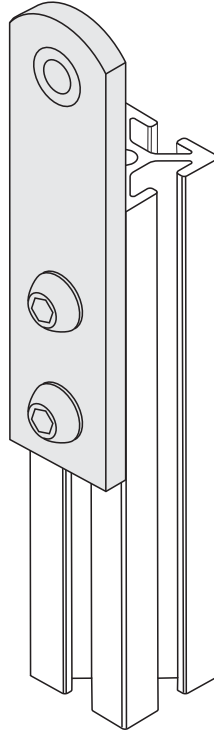
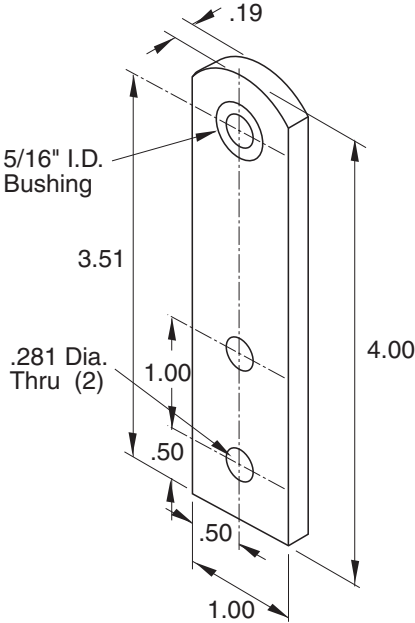


**11-105**

use with 11-108 or 11-109

For shoulder bolt,  
order (1) 11-204

Recommended  
Hardware  
(2) 11-210 T-nut  
(2) 11-231 BHCS  
(1) 11-204 Sholder Bolt



Assembled  
(2) 11-105  
(1) 11-109  
(2) 11-204

Material - Aluminum  
Finish - Clear Anodize

**1/4" SLOTS**