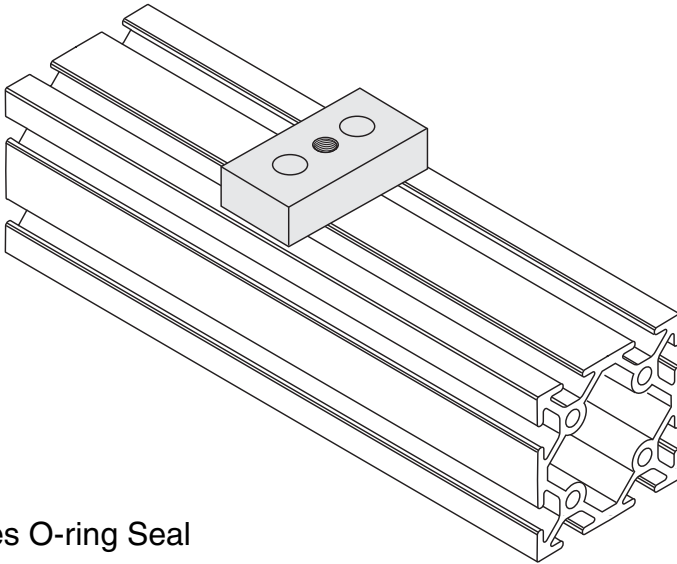
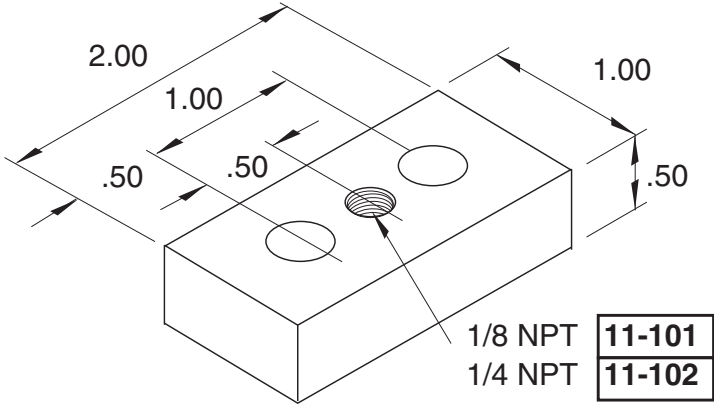


Pressure Manifold Plate



11-101
11-102



1/4" SLOTS

Includes O-ring Seal
Requires
(2) 11-221 SHCS
(2) 11-210 T-Nut

O-ring Material - Buna N
Material - Aluminum
Finish - Clear Anodize