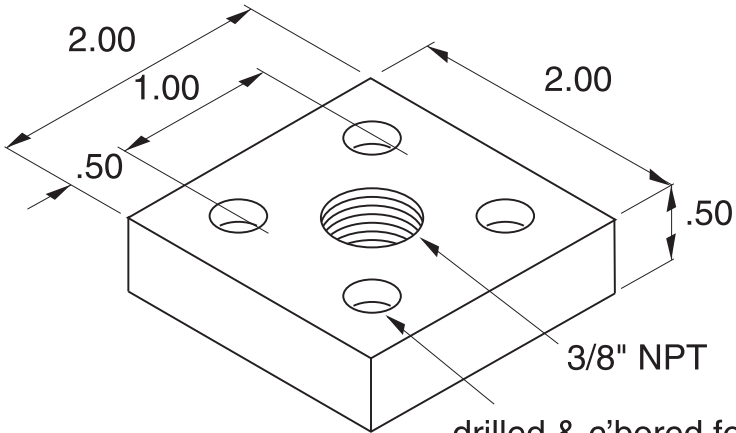


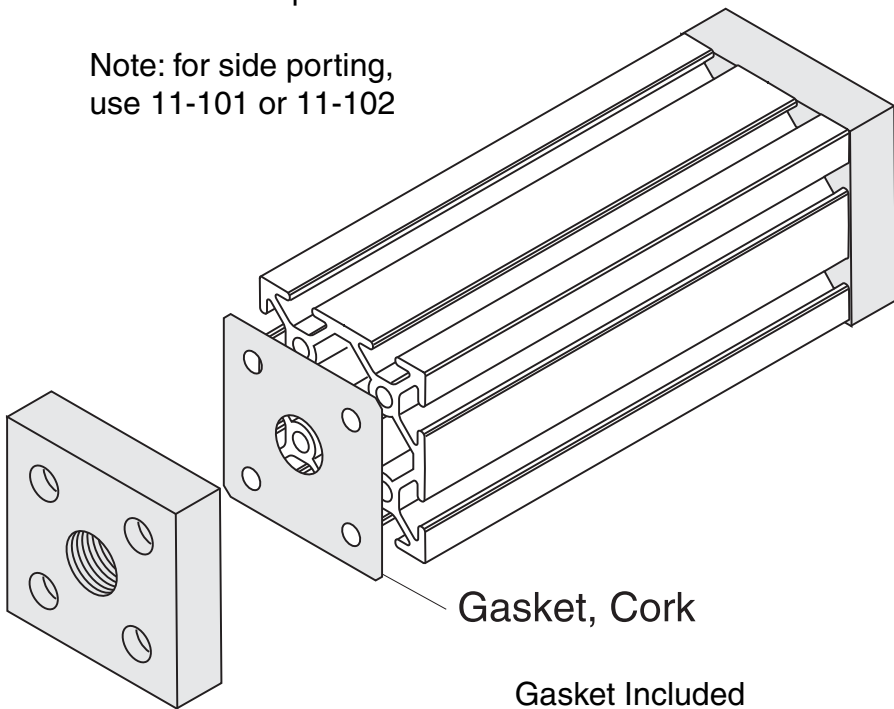
11-100



Cross Sectional
Area = 1.63 sq. in.

drilled & c'bored for
1/4-20 shcs (4)

Note: for side porting,
use 11-101 or 11-102



Gasket, Cork

Gasket Included
Requires (4) 11- 224 SHCS

Material - Aluminum
Finish - Clear Anodize

1/4" SLOTS